



Certificates and Training Requirements for Masters and Officers of Fishing Vessels

Guide: What Requirements Apply to You?

[Click here to go to the introduction](#)

RDIMS # 6501343





Introduction

This guide helps fishermen understand the new *Marine Personnel Regulations* certificates and training requirements. Answering each question will help masters and officers of fishing vessels determine what requirements apply to their situation.

[Click here to start](#)



Duties Onboard the Vessel

Click on the button that matches your onboard duty.

I am master of a fishing vessel

Yes

OR

I am an officer of a fishing vessel

Yes

An officer is the person, other than the master, that is in charge of the deck watch. If a fisherman helper keeps the watch, then, he is an officer.



Masters of Fishing Vessels

On which type of vessel do you carry out the master's duties? (Click on the button that matches your answer)

**You will need to know the gross tonnage and length overall of your vessel to answer next questions.*

[\(Click here for length overall definition\)](#)

I am the master of a fishing vessel of more than 15 gross tonnage and more than 12 meters (39 feet 4 inches) in length overall.

Yes

No

[Return to start](#)

[Previous page](#)



Experience as Master

Specify your experience as master of a fishing vessel (click on the button that matches your answer).

I have been the master of a fishing vessel or fishing vessels of at least 15 gross tonnage OR at least 12 meters (39 feet 4 inches) in length overall for at least 12 months before July 1, 2007.

Yes

No

[Return to start](#)

[Previous page](#)



Experience as Master

*Specify your experience (*fishing seasons) as master of a fishing vessel (click on the button that matches your answer).*

**Fishing season: A fishing season is the total time spent fishing each year. A fishing season can last a few weeks to many months depending on the types of fishing done. No two fishing seasons can occur during the same year.*

I served as master of a fishing vessel for at least 7 fishing seasons before July 1, 2007.

Yes

No

[Return to start](#)

[Previous page](#)



Required Certificate: Certificate of Service as Master

I need a Certificate of Service as Master before the new requirements come into force.

**To see the requirements to get a Certificate of Service as Master
[Click here.](#)**

To find out when it comes into force [Click here.](#)

[Return to start](#)

[Previous page](#)



Certificate of Service as Master of a Fishing Vessel of Less Than 60 Gross Tonnage: Requirements and Information

Validity

- ✓ Valid as Master, Fishing Vessel of Less Than 60 Gross Tonnage
- ✓ Voyages as specified on the certificate in accordance with experience

Service

- ✓ Served at least 12 months of sea service as master, fishing vessel of at least 15 gross tonnage or at least 12 m (39 feet 4 inches) in length overall before July 1, 2007

Medical

- ✓ No medical certificate required

Marine Emergency Duties (MED)

- ✓ Marine Emergency Duties with respect to basic safety (MED A1)

Restricted Operator's Certificate

- ✓ Restricted Operator's Certificate – Maritime Commercial (ROC-MC)
- ✓ While a Restricted Operator's Certificate (with maritime qualification) (ROC-M) obtained after January 1, 2005 is also accepted, the certificate of service will be valid only for voyages not beyond 25 miles from shore

[Click here to request a Certificate of Service as Master](#)

[Return to start](#)

[Previous page](#)



Phase-in Dates

The requirements to hold a certificate, a training certificate or a Declaration of at Least Seven Fishing Seasons for the master and any other person in charge of the watch begin on the dates in the table below:

<u>Vessels</u>	<u>Required Beginning</u>
Vessels with LOA of over 15 m (49 ft 02 in)	November 7, 2008
Vessels with LOA of over 14 m (45 ft 11 in)	November 7, 2009
Vessels with LOA of over 13 m (42 ft 08 in)	November 7, 2010
Vessels with LOA of over 12 m (39 ft 04 in)	November 7, 2012
Vessels with LOA of over 6 m (19 ft 08 in)	November 7, 2015
Vessels of all lengths	November 7, 2016

[Return to start](#)

[Previous page](#)



Certificate of Service as Master, Fishing Vessel of Less Than 60 Gross Tonnage

Printing the instructions sheet will help you fill in your application form. [Click here to open the instructions](#)

To apply for a Certificate of Service, bring all the documents stated below to a Transport Canada Marine Safety (TCMS) Exam Center or send them to the nearest TCMS Exam Center.

1. PROOF OF IDENTITY: Provide TCMS the original or a certified copy of one of these documents:

- | | |
|-------------------------------------------------------|----------------------------------------------------------------------------------------|
| <input type="checkbox"/> Driver's License | <input type="checkbox"/> Firearms License |
| <input type="checkbox"/> Provincial Health Care Card | <input type="checkbox"/> Seafarer's Identity Document |
| <input type="checkbox"/> Canadian Passport | <input type="checkbox"/> Canadian Maritime Document |
| <input type="checkbox"/> Permanent Resident Card | <input type="checkbox"/> Federal, Provincial or Municipal employee identification card |
| <input type="checkbox"/> Certificate of Indian Status | <input type="checkbox"/> Old Age Security Card |

2. MED Training certificate: Provide proof (original or a certified copy) that you hold a Transport Canada training certificate in Marine Emergency Duties (MED A1).

3. Radio certificate: Provide proof (original or a certified copy) that you hold a Restricted Operator's Certificate – Maritime Commercial (ROC-MC) or Restricted Operator's Certificate with Maritime Qualification (ROC-M) issued by [Industry Canada](#).

4. Payment: Fees are 27.50 \$. Can be paid at any Transport Canada Marine Safety Exam Center or by money order made to the *Receiver General of Canada*.

5. Attach the following completed documents to your application

[\(Click here to see documents\)](#)

[Return to start](#)

[Previous page](#)



Documents to complete to get a Certificate of Service as Master of a Fishing Vessel of Less Than 60 Gross Tonnage

To get a Certificate of Service as Master, bring all the documents stated below to a Transport Canada Marine Safety (TCMS) Exam Center or send them to the nearest TCMS Exam Center:

1. Application for a Fishing Vessel Certificate of Service (Form no 82-0704)

Fill out the application, check which certificate you want, and sign the form.

[\(Click here to open the form\)](#)

2. Testimonial of Sea Service (for a Fishing Vessel Certificate of Service) (Form no 82-0705)

The vessel owner must complete and sign testimonials. If you are the master and the owner, you may complete the form yourself. In this case, you must have the form sworn before a Commissioner of oaths using the proper space on the form.

[\(Click here to open the form\)](#)

3. Statement of Qualifying Service / Fishing Vessel Certificate of Service (Form no 82-0707)

Complete and sign the form using testimonials of sea service obtained from the master or owner. Only fishing seasons carried out before July 1, 2007 can count. Only one season per year will count. List one season per line only. If you have more than seven fishing seasons done before July 1, 2007, make sure you list at least seven of them on the form.

[\(Click here to open the form\)](#)

[Return to start](#)

[Previous page](#)



Required Certificate: Fishing Master, Fourth Class

I need a Certificate of Fishing Master, Fourth Class before the new requirements come into force.

To see the requirements to get a Fishing Master, Fourth Class Certificate [Click here.](#)

To find out the date it comes into force [Click here.](#)

[Return to start](#)

[Previous page](#)



Fishing Master, Fourth Class Certificate: Requirements and information

Validity on Fishing Vessels

- ✓ Valid as master, vessel of up to 100 gross tonnage and as officer in charge of the watch, vessel unlimited tonnage
- ✓ Near coastal voyages, class 1 ([Click here to see the definitions of voyages](#))

Service

- ✓ 12 months of sea service, deck duties, fishing vessel of at least 6 m (19 feet 8 inches)

Medical

- ✓ Hold a valid Marine Medical Certificate or a Provisional Marine Medical Certificate

Marine Emergency Duties (MED)

- ✓ Marine Emergency Duties with respect to basic safety (MED A1)

Restricted Operator's Certificate

- ✓ Restricted Operator Certificate-Maritime Commercial (ROC-MC)

SEN

- ✓ Simulated Electronic Navigation, Limited course (SEN-Limited)

First Aid

- ✓ Marine Advanced First Aid Training

Exams

- ✓ Pass exams to obtain the certificate ([Click here to see the exams](#))

[Return to start](#)

[Previous page](#)



Exams for getting a Fishing Master, Fourth Class Certificate

To get this certificate, you must pass these Transport Canada exams:

- 1. Chartwork and Pilotage, level 1**
- 2. Navigation Safety, level 1**
- 3. Ship Construction and Stability, level 1**
- 4. Oral Examination on General Seamanship Knowledge**

**For more information, please contact an examiner from
a Transport Canada Marine Safety Examination
Center.**

[Return to start](#)

[Previous page](#)



Masters of Fishing Vessels

On which type of vessel do you carry out the master's duties? (Click on the button that matches your answer)

**You will need to know the gross tonnage and length overall of your vessel to answer next questions.*

[\(Click here for length overall definition\)](#)

I am the master of a fishing vessel of 15 gross tonnage or more but of LESS than 12 meters (39 feet 4 inches) in length overall.

Yes

No

[Return to start](#)

[Previous page](#)



Experience as Master

Specify your experience as master of a fishing vessel (click on the button that matches your answer).

I served as master of a fishing vessel or fishing vessels of at least 15 gross tonnage OR at least 12 meters (39 feet 4 inches) in length overall for at least 12 months prior to July 1, 2007.

Yes

No

[Return to start](#)

[Previous page](#)



Experience as Master

*Specify your experience (*fishing seasons) as master of a fishing vessel (click on the button that matches your answer).*

**Fishing season: A fishing season is the total time spent fishing each year. A fishing season can last from a few weeks to many months, depending on the types of fishing done. No two fishing seasons can occur during the same year.*

I served as master of a fishing vessel for at least 7 fishing seasons before July 1, 2007.

Yes

No

[Return to start](#)

[Previous page](#)



Operations Areas

Specify at what maximum distance from shore you carry out your fishing operations (click on the button that matches your answer).

My fishing takes me no further than 25 miles from the coast.

Yes

No

[Return to start](#)

[Previous page](#)



Required Certificate: Certificate of Service as Master or Being Exempted

Click on the link at the end of the correct statement.

1. I can get a Certificate of Service as Master [\(Click here\)](#)

OR

2. I can benefit from an Exemption and hold a Declaration of my Experience as Master [\(Click here\)](#)

[Return to start](#)

[Previous page](#)



Required Certificate: Certificate of Service as Master

I need a Certificate of Service as Master before the new requirements come into force.

**To see the requirements to get a Certificate of Service as Master
[Click here.](#)**

To find out the date it comes into force [Click here.](#)

[Return to start](#)

[Previous page](#)



Certificate of Service as Master of a Fishing Vessel of Less Than 60 Gross Tonnage: Requirements and Information

Validity

- ✓ Valid as Master, Fishing Vessel of Less Than 60 Gross Tonnage
- ✓ Voyages as specified on the certificate in accordance with experience

Service

- ✓ Served at least 12 months of sea service as master, fishing vessel of at least 15 gross tonnage or at least 12 m (39 feet 4 inches) in length overall before July 1, 2007

Medical

- ✓ No medical certificate required

Marine Emergency Duties (MED)

- ✓ Marine Emergency Duties with respect to basic safety (MED A1)

Restricted Operator's Certificate

- ✓ Restricted Operator's Certificate – Maritime Commercial (ROC-MC)
- ✓ While a Restricted Operator's Certificate (with maritime qualification) (ROC-M) obtained after January 1, 2005 is also accepted, the certificate of service will be valid only for voyages not beyond 25 miles from shore

[Click here to request a Certificate of Service as Master](#)

[Return to start](#)

[Previous page](#)



Phase-in Dates

The requirements to hold a certificate, a training certificate or a Declaration of at Least Seven Fishing Seasons for the master and any other person in charge of the watch begin on the dates in the table below:

<u>Vessels</u>	<u>Required Beginning</u>
Vessels with LOA of over 15 m (49 ft 02 in)	November 7, 2008
Vessels with LOA of over 14 m (45 ft 11 in)	November 7, 2009
Vessels with LOA of over 13 m (42 ft 08 in)	November 7, 2010
Vessels with LOA of over 12 m (39 ft 04 in)	November 7, 2012
Vessels with LOA of over 6 m (19 ft 08 in)	November 7, 2015
Vessels of all lengths	November 7, 2016

[Return to start](#)
[Previous page](#)



Certificate of Service as Master, Fishing Vessel of Less Than 60 Gross Tonnage

Printing the instructions sheet will help you fill in your application form. [Click here to open the instructions](#)

To apply for a Certificate of Service, bring all the documents stated below to a Transport Canada Marine Safety (TCMS) Exam Center or send them to the nearest TCMS Exam Center.

1. PROOF OF IDENTITY: Provide TCMS the original or a certified copy of one of these documents:

- | | |
|-------------------------------------------------------|----------------------------------------------------------------------------------------|
| <input type="checkbox"/> Driver's License | <input type="checkbox"/> Firearms License |
| <input type="checkbox"/> Provincial Health Care Card | <input type="checkbox"/> Seafarer's Identity Document |
| <input type="checkbox"/> Canadian Passport | <input type="checkbox"/> Canadian Maritime Document |
| <input type="checkbox"/> Permanent Resident Card | <input type="checkbox"/> Federal, Provincial or Municipal employee identification card |
| <input type="checkbox"/> Certificate of Indian Status | <input type="checkbox"/> Old Age Security Card |

2. MED Training certificate: Provide proof (original or a certified copy) that you hold a Transport Canada training certificate in Marine Emergency Duties (MED A1).

3. Radio certificate: Provide proof (original or a certified copy) that you hold a Restricted Operator's Certificate – Maritime Commercial (ROC-MC) or Restricted Operator's Certificate with Maritime Qualification (ROC-M) issued by Industry Canada.

4. Payment: Fees are 27.50 \$. Can be paid at any Transport Canada Marine Safety Exam Center or by money order made to the *Receiver General of Canada*.

5. Attach the following completed documents to your application

[\(Click here to see documents\)](#)

[Return to start](#)

[Previous page](#)



Documents to complete to get a Certificate of Service as Master of a Fishing Vessel of Less Than 60 Gross Tonnage

To get a Certificate of Service as Master, bring all the documents stated below to a Transport Canada Marine Safety (TCMS) Exam Center or send them to the nearest TCMS Exam Center:

1. Application for a Fishing Vessel Certificate of Service (Form no 82-0704)

Fill out the application, check which certificate you want, and sign the form.

[\(Click here to open the form\)](#)

2. Testimonial of Sea Service (for a Fishing Vessel Certificate of Service) (Form no 82-0705)

The vessel owner must complete and sign testimonials. If you are the master and the owner, you may complete the form yourself. In this case, you must have the form sworn before a Commissioner of oaths using the proper space on the form.

[\(Click here to open the form\)](#)

3. Statement of Qualifying Service / Fishing Vessel Certificate of Service (Form no 82-0707)

Complete and sign the form using testimonials of sea service obtained from the master or owner. Only fishing seasons carried out before July 1, 2007 can count. Only one season per year will count. List one season per line only. If you have more than seven fishing seasons done before July 1, 2007, make sure you list at least seven of them on the form.

[\(Click here to open the form\)](#)

[Return to start](#)

[Previous page](#)



I can benefit from the Exemption and hold a Declaration of my Experience as Master

Form (82-0698) Déclaration of at Least 7 Fishing Seasons [Click here to see the form](#)

Validity on Fishing Vessels

- ✓ Valid as master or officer as the case may be, of a vessel of up to 15 gross tonnage or not more than 12 m (39 feet 4 inches) in length overall
- ✓ Near coastal voyages, class 2
- ✓ The validity of this declaration may go up to 50 miles from shore, if the holder has been fishing beyond 25 miles from shore before July 1, 2007

Service

- ✓ At least 7 fishing seasons as master of a fishing vessel before July 1, 2007

Medical

- ✓ No medical certificate required

Course

- ✓ No course required *CAUTION: [Click here to see the requirements that apply to vessels](#)

It is important to keep the proof of your sea service onboard along with form (82-0698). If not, you must have form (82-0698) sworn before a Commissioner of oaths.

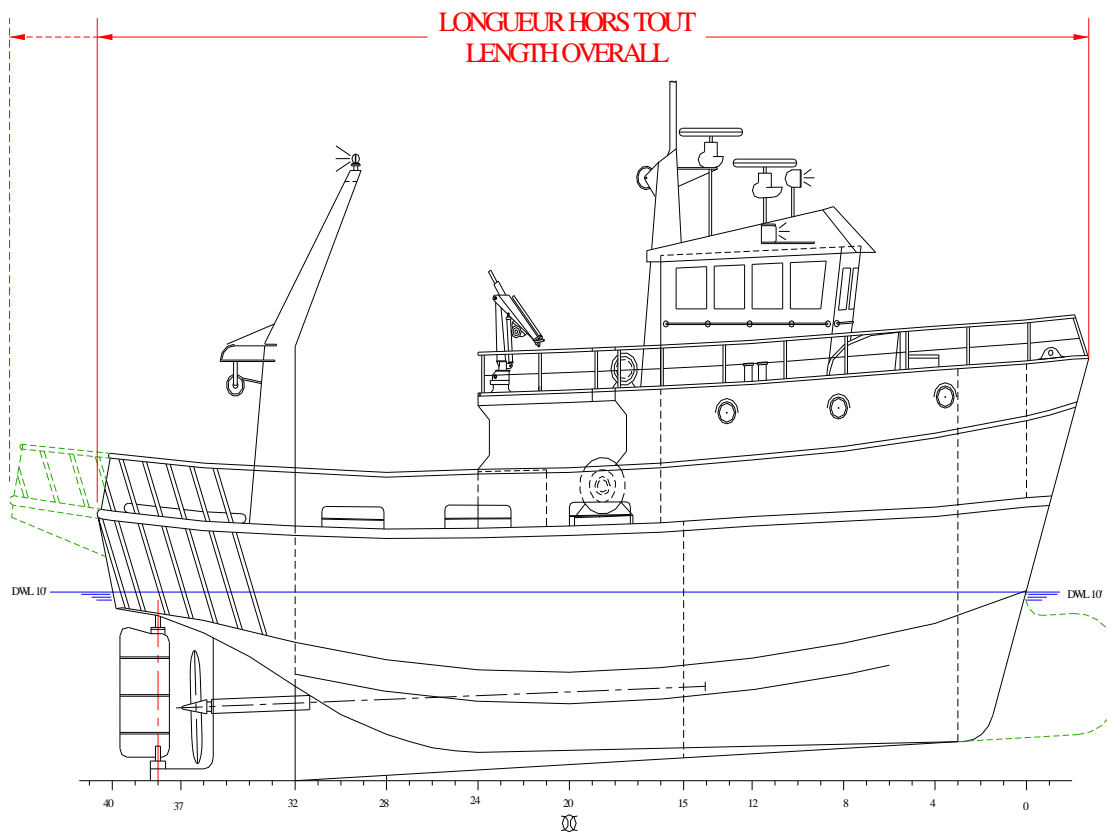
[Return to start](#)

[Previous page](#)



Length Overall

The length overall (LOA) is the distance between the foremost point and the aftermost point of your vessel. To measure your length overall, you must include aft deck extensions (platforms). Do not include the bulbous bow.

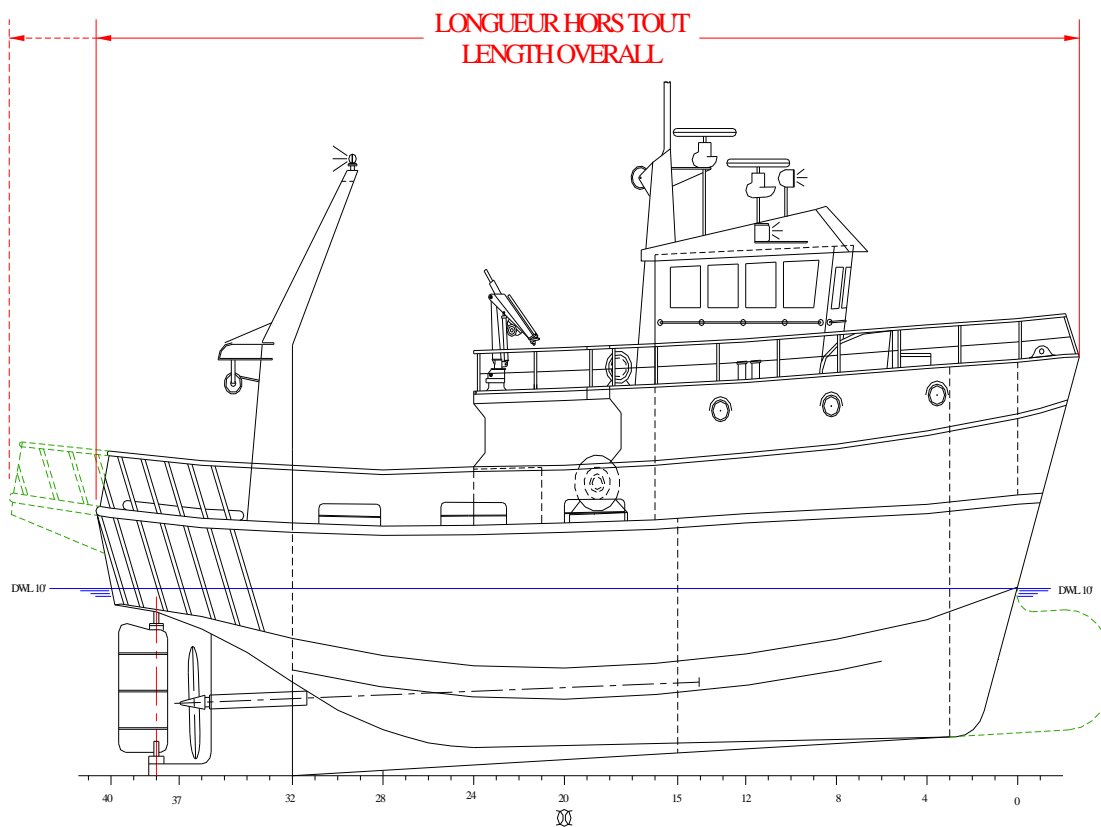


[Return to start](#)
[Previous page](#)



Length Overall

The length overall (LOA) is the distance between the foremost point and the aftermost point of your vessel. To measure your length overall, you must include aft deck extensions (platforms). Do not include the bulbous bow.



[Return to start](#)
[Previous page](#)



Masters of Fishing Vessels

On which type of vessel do you carry out the master's duties? (Click on the button that matches your answer)

**You will need to know the gross tonnage and length overall of your vessel to answer next questions.*

[\(Click here for length overall definition\)](#)

I am the master of a fishing vessel of LESS than 15 gross tonnage but of 12 meters (39 feet 4 inches) OR MORE in length overall.

Yes

No

[Return to start](#)

[Previous page](#)



Experience as Master

Specify your experience as master of a fishing vessel (click on the button that matches your answer).

I have been the master of a fishing vessel or fishing vessels of at least 15 gross tonnage OR at least 12 meters (39 feet 4 inches) in length overall for at least 12 months before July 1, 2007.

Yes

No

[Return to start](#)

[Previous page](#)



Experience as Master

*Specify your experience (*fishing seasons) as master of a fishing vessel (click on the button that matches your answer).*

**Fishing season: A fishing season is the total time spent fishing each year. A fishing season can last from a few weeks to many months, depending on the types of fishing done. No two fishing seasons can occur during the same year.*

I served as master of a fishing vessel for at least 7 fishing seasons before July 1, 2007.

Yes

No

[Return to start](#)

[Previous page](#)



Operations Areas

Specify at what maximum distance from shore you carry out your fishing operations (click on the button that matches your answer).

My fishing takes me no further than 25 miles from the coast.

Yes

No

[Return to start](#)

[Previous page](#)



Required Certificate: Certificate of Service as Master or Being Exempted

Click the link at the end of the correct statement.

1. I can get a Certificate of Service as Master [\(Click here\)](#)

OR

2. I can benefit from an Exemption and hold a Declaration of my Experience as Master [\(Click here\)](#)

[Return to start](#)

[Previous page](#)



Required Certificate: Certificate of Service as Master

I need a Certificate of Service as Master before the new requirements come into force.

To see the requirements to get a Certificate of Service as Master [Click here.](#)

To find out the date it comes into force [Click here.](#)

[Return to start](#)

[Previous page](#)



Certificate of Service as Master of a Fishing Vessel of Less Than 60 Gross Tonnage: Requirements and Information

Validity

- ✓ Valid as Master, Fishing Vessel of Less Than 60 Gross Tonnage
- ✓ Voyages as specified on the certificate in accordance with experience

Service

- ✓ Served at least 12 months of sea service as master, fishing vessel of at least 15 gross tonnage or at least 12 m (39 feet 4 inches) in length overall before July 1, 2007

Medical

- ✓ No medical certificate required

Marine Emergency Duties (MED)

- ✓ Marine Emergency Duties with respect to basic safety (MED A1)

Restricted Operator's Certificate

- ✓ Restricted Operator's Certificate – Maritime Commercial (ROC-MC)
- ✓ While a Restricted Operator's Certificate (with maritime qualification) (ROC-M) obtained after January 1, 2005 is also accepted, the certificate of service will be valid only for voyages not beyond 25 miles from shore

[Click here to request a Certificate of Service as Master](#)

[Return to start](#)
[Previous page](#)



Phase-in Dates

The requirements to hold a certificate, a training certificate or a Declaration of at Least Seven Fishing Seasons for the master and any other person in charge of the watch begin on the dates in the table below:

<u>Vessels</u>	<u>Required Beginning</u>
Vessels with LOA of over 15 m (49 ft 02 in)	November 7, 2008
Vessels with LOA of over 14 m (45 ft 11 in)	November 7, 2009
Vessels with LOA of over 13 m (42 ft 08 in)	November 7, 2010
Vessels with LOA of over 12 m (39 ft 04 in)	November 7, 2012
Vessels with LOA of over 6 m (19 ft 08 in)	November 7, 2015
Vessels of all lengths	November 7, 2016

[Return to start](#)

[Previous page](#)



Certificate of Service as Master, Fishing Vessel of Less Than 60 Gross Tonnage

Printing the instructions sheet will help you fill in your application form. [Click here to open the instructions](#)

To apply for a Certificate of Service, bring all the documents stated below to a Transport Canada Marine Safety (TCMS) Exam Center or send them to the nearest TCMS Exam Center.

1. **PROOF OF IDENTITY:** Provide TCMS the original or a certified copy of one of these documents:

- | | |
|-------------------------------------------------------|----------------------------------------------------------------------------------------|
| <input type="checkbox"/> Driver's License | <input type="checkbox"/> Firearms License |
| <input type="checkbox"/> Provincial Health Care Card | <input type="checkbox"/> Seafarer's Identity Document |
| <input type="checkbox"/> Canadian Passport | <input type="checkbox"/> Canadian Maritime Document |
| <input type="checkbox"/> Permanent Resident Card | <input type="checkbox"/> Federal, Provincial or Municipal employee identification card |
| <input type="checkbox"/> Certificate of Indian Status | <input type="checkbox"/> Old Age Security Card |

2. **MED Training certificate:** Provide proof (original or a certified copy) that you hold a Transport Canada training certificate in Marine Emergency Duties (MED A1).

3. **Radio certificate:** Provide proof (original or a certified copy) that you hold a Restricted Operator's Certificate – Maritime Commercial (ROC-MC) or Restricted Operator's Certificate with Maritime Qualification (ROC-M) issued by [Industry Canada](#).

4. **Payment:** Fees are 27.50 \$. Can be paid at any Transport Canada Marine Safety Exam Center or by money order made to the *Receiver General of Canada*.

5. **Attach the following completed documents to your application**

[\(Click here to see documents\)](#)

[Return to start](#)

[Previous page](#)



Documents to complete to get a Certificate of Service as Master of a Fishing Vessel of Less Than 60 Gross Tonnage

To get a Certificate of Service as Master, bring all the documents stated below to a Transport Canada Marine Safety (TCMS) Exam Center or send them to the nearest TCMS Exam Center:

1. Application for a Fishing Vessel Certificate of Service (Form no 82-0704)

Fill out the application, check which certificate you want, and sign the form.

[\(Click here to open the form\)](#)

2. Testimonial of Sea Service (for a Fishing Vessel Certificate of Service) (Form no 82-0705)

The vessel owner must complete and sign testimonials. If you are the master and the owner, you may complete the form yourself. In this case, you must have the form sworn before a Commissioner of oaths using the proper space on the form.

[\(Click here to open the form\)](#)

3. Statement of Qualifying Service / Fishing Vessel Certificate of Service (Form no 82-0707)

Complete and sign the form using testimonials of sea service obtained from the master or owner. Only fishing seasons carried out before July 1, 2007 can count. Only one season per year will count. List one season per line only. If you have more than seven fishing seasons done before July 1, 2007, make sure you list at least seven of them on the form.

[\(Click here to open the form\)](#)

[Return to start](#)

[Previous page](#)



I can benefit from the Exemption and hold a Declaration of my Experience as Master

Form (82-0698) Déclaration of at Least 7 Fishing Seasons [Click here to see the form](#)

Validity on Fishing Vessels

- ✓ Valid as master or officer as the case may be, of a vessel of up to 15 gross tonnage or not more than 12 m (39 feet 4 inches) in length overall
- ✓ Near coastal voyages, class 2
- ✓ The validity of this declaration may go up to 50 miles from shore, if the holder has been fishing beyond 25 miles from shore before July 1, 2007

Service

- ✓ At least 7 fishing seasons as master of a fishing vessel before July 1, 2007

Medical

- ✓ No medical certificate required

Course

- ✓ No course required *CAUTION: [Click here to see the requirements that apply to vessels](#)

It is important to keep the proof of your sea service onboard along with form (82-0698). If not, you must have form (82-0698) sworn before a Commissioner of oaths.

[Return to start](#)

[Previous page](#)



Masters of Fishing Vessels

On which type of vessel do you carry out the master's duties? (Click on the button that matches your answer)

**You will need to know the gross tonnage and length overall of your vessel to answer next questions.*

[\(Click here for length overall definition\)](#)

I am the master of a fishing vessel of less than 15 gross tonnage and less than 12 meters (39 feet 4 inches) in length overall.

Yes

No

[Return to start](#)

[Previous page](#)



Operations Areas

Specify at what maximum distance from shore you carry out your fishing operations (click on the button that matches your answer).

My fishing takes me no further than 25 miles from the coast.

Yes

No

[Return to start](#)

[Previous page](#)



Experience as Master

*Specify your experience (*fishing seasons) as master of a fishing vessel (click on the button that matches your answer).*

**Fishing season: A fishing season is the total time spent fishing each year. A fishing season can last from a few weeks to many months, depending on the types of fishing done. No two fishing seasons can occur during the same year.*

I served as master of a fishing vessel for at least 7 fishing seasons before July 1, 2007.

Yes

No

[Return to start](#)

[Previous page](#)



I can benefit from the Exemption and hold a Declaration of my Experience as Master

Form (82-0698) Déclaration of at Least 7 Fishing Seasons [Click here to see the form](#)

Validity on Fishing Vessels

- ✓ Valid as master or officer as the case may be, of a vessel of up to 15 gross tonnage or not more than 12 m (39 feet 4 inches) in length overall
- ✓ Near coastal voyages, class 2
- ✓ The validity of this declaration may go up to 50 miles from shore, if the holder has been fishing beyond 25 miles from shore before July 1, 2007

Service

- ✓ At least 7 fishing seasons as master of a fishing vessel before July 1, 2007

Medical

- ✓ No medical certificate required

Course

- ✓ No course required *CAUTION: [Click here to see the requirements that apply to vessels](#)


It is important to keep the proof of your sea service onboard along with form (82-0698). If not, you must have form (82-0698) sworn before a Commissioner of oaths.

[Return to start](#)

[Previous page](#)

Wrong way

Since no requirement applies to me, I must click on the « **Return to start** » button on the bottom right of this page and then select the « **I am officer of a fishing vessel** ».



[Return to start](#)
[Previous page](#)



Required Certificate: Certificate of Service as Master

I need a Certificate of Service as Master before the new requirements come into force BUT I must also take some extra training courses.

To see the requirements to get a Certificate of Service as Master and to find out about the extra training courses you must complete [Click here.](#)

To find out the date it comes into force [Click here.](#)

[Return to start](#)

[Previous page](#)



Certificate of Service as Master of a Fishing Vessel of Less Than 60 Gross Tonnage: Requirements and Information

Validity

- ✓ Valid as Master, Fishing Vessel of Less Than 60 Gross Tonnage
- ✓ Voyages as specified on the certificate in accordance with experience

Service

- ✓ Served at least 12 months of sea service as master, fishing vessel of at least 15 gross tonnage or at least 12 m (39 feet 4 inches) in length overall before July 1, 2007

Medical

- ✓ No medical certificate required

Marine Emergency Duties (MED)

- ✓ Marine Emergency Duties with respect to basic safety (MED A1)

Restricted Operator's Certificate

- ✓ Restricted Operator's Certificate – Maritime Commercial (ROC-MC)
- ✓ While a Restricted Operator's Certificate (with maritime qualification) (ROC-M) obtained after January 1, 2005 is also accepted, the certificate of service will be valid only for voyages not beyond 25 miles from shore

[Click here to find information about the extra training courses](#)

[Click here to request a Certificate of Service as Master](#)

[Return to start](#)
[Previous page](#)



Phase-in Dates

The requirements to hold a certificate, a training certificate or a Declaration of at Least Seven Fishing Seasons for the master and any other person in charge of the watch begin on the date in the table below:

<u>Vessels</u>	<u>Required Beginning</u>
Vessels with LOA of over 15 m (49 ft 02 in)	November 7, 2008
Vessels with LOA of over 14 m (45 ft 11 in)	November 7, 2009
Vessels with LOA of over 13 m (42 ft 08 in)	November 7, 2010
Vessels with LOA of over 12 m (39 ft 04 in)	November 7, 2012
Vessels with LOA of over 6 m (19 ft 08 in)	November 7, 2015
Vessels of all lengths	November 7, 2016

[Return to start](#)

[Previous page](#)



Certificate of Service as Master, Fishing Vessel of Less Than 60 Gross Tonnage

Printing the instructions sheet will help you fill in your application form. [Click here to open the instructions](#)

To apply for a Certificate of Service, bring all the documents stated below to a Transport Canada Marine Safety (TCMS) Exam Center or send them to the nearest TCMS Exam Center.

1. PROOF OF IDENTITY: Provide TCMS the original or a certified copy of one of these documents:

- | | |
|-------------------------------------------------------|----------------------------------------------------------------------------------------|
| <input type="checkbox"/> Driver's License | <input type="checkbox"/> Firearms License |
| <input type="checkbox"/> Provincial Health Care Card | <input type="checkbox"/> Seafarer's Identity Document |
| <input type="checkbox"/> Canadian Passport | <input type="checkbox"/> Canadian Maritime Document |
| <input type="checkbox"/> Permanent Resident Card | <input type="checkbox"/> Federal, Provincial or Municipal employee identification card |
| <input type="checkbox"/> Certificate of Indian Status | <input type="checkbox"/> Old Age Security Card |

2. MED Training certificate: Provide proof (original or a certified copy) that you hold a Transport Canada training certificate in Marine Emergency Duties (MED A1).

3. Radio certificate: Provide proof (original or a certified copy) that you hold a Restricted Operator's Certificate – Maritime Commercial (ROC-MC) or Restricted Operator's Certificate with Maritime Qualification (ROC-M) issued by Industry Canada.

4. Payment: Fees are 27.50 \$. Can be paid at any Transport Canada Marine Safety Exam Center or by money order made to the *Receiver General of Canada*.

5. Attach the following completed documents to your application

[\(Click here to see documents\)](#)

[Return to start](#)

[Previous page](#)



Documents to complete to get a Certificate of Service as Master of a Fishing Vessel of Less Than 60 Gross Tonnage

To get a Certificate of Service as Master, bring all the documents stated below to a Transport Canada Marine Safety (TCMS) Exam Center or send them to the nearest TCMS Exam Center:

1. Application for a Fishing Vessel Certificate of Service (Form no 82-0704)

Fill out the application, check which certificate you want, and sign the form.

[\(Click here to open the form\)](#)

2. Testimonial of Sea Service (for a Fishing Vessel Certificate of Service) (Form no 82-0705)

The vessel owner must complete and sign testimonials. If you are the owner, you may complete the form yourself. In this case, you must have the form sworn before a Commissioner of oaths using the proper space on the form.

[\(Click here to open the form\)](#)

3. Statement of Qualifying Service / Fishing Vessel Certificate of Service (Form no 82-0707)

Complete and sign the form using testimonials of sea service obtained from the master or owner. Only fishing seasons carried out before July 1, 2007 can count. Only one season per year will count. List only one season per line. If you have more than seven fishing seasons, make sure you list at least 7 of them on the form.

[\(Click here to open the form\)](#)

[Return to start](#)

[Previous page](#)



Extra Training Courses

SEN

- ✓ Simulated Electronic Navigation, Limited Course (SEN-Limited)

First aid

- ✓ Marine Basic First Aid Course

SVOP

- ✓ Small Vessel Operator Proficiency Training Course



Important: These training courses are not required if you have served as master for at least 7 fishing seasons as master before July 1, 2007.

[Return to start](#)

[Previous page](#)



Experience as Master

*Specify your experience (*fishing seasons) as master of a fishing vessel (click on the button that matches your answer).*

**Fishing season: A fishing season is the total time spent fishing each year. A fishing season can last from a few weeks to many months, depending on the types of fishing done. No two fishing seasons can occur during the same year.*

I served as master of a fishing vessel for at least 7 fishing seasons before July 1, 2007.

Yes

No

[Return to start](#)

[Previous page](#)



Operations Areas

Specify at what maximum distance from shore you carry out your fishing operations (click on the button that matches your answer).

My fishing takes me no further than 25 miles from the coast.

Yes

No

[Return to start](#)

[Previous page](#)



I can benefit from the Exemption and hold a Declaration of my Experience as Master

Form (82-0698) Déclaration of at Least 7 Fishing Seasons [Click here to see the form](#)

Validity on Fishing Vessels

- ✓ Valid as master or officer as the case may be, of a vessel of up to 15 gross tonnage or not more than 12 m (39 feet 4 inches) in length overall
- ✓ Near coastal voyages, class 2
- ✓ The validity of this declaration may go up to 50 miles from shore, if the holder has been fishing beyond 25 miles from shore before July 1, 2007

Service

- ✓ At least 7 fishing seasons as master of a fishing vessel before July 1, 2007

Medical

- ✓ No medical certificate required

Course

- ✓ No course required *CAUTION: [Click here to see the requirements that apply to vessels](#)

It is important to keep the proof of your sea service onboard along with form (82-0698). If not, you must have form (82-0698) sworn before a Commissioner of oaths.

[Return to start](#)

[Previous page](#)



Operations Areas

Specify at what maximum distance from shore you carry out your fishing operations (click on the button that matches your answer).

My fishing takes me no further than 2 miles from the coast.

Yes

No

[Return to start](#)

[Previous page](#)



Certificate Required: Certificate of Service as Master or Pleasure Craft Operator Card

Click the link at the end of the correct statement.

1. I can get a Certificate of Service as Master BUT I must also take some extra training courses ([Click here](#))

OR

2. I can get a Pleasure Craft Operator Card ([Click here](#))

[Return to start](#)

[Previous page](#)



Required Certificate: Certificate of Service as Master

I need a Certificate of Service as Master before the new requirements come into force BUT I must also take some extra training courses.

To see the requirements to get a Certificate of Service as Master and to find out about the extra training courses you must complete [Click here.](#)

To find out the date it comes into force [Click here.](#)

[Return to start](#)

[Previous page](#)



Certificate of Service as Master of a Fishing Vessel of Less Than 60 Gross Tonnage: Requirements and Information

Validity

- ✓ Valid as Master, Fishing Vessel of Less Than 60 Gross Tonnage
- ✓ Voyages as specified on the certificate in accordance with experience

Service

- ✓ Served at least 12 months of sea service as master, fishing vessel of at least 15 gross tonnage or at least 12 m (39 feet 4 inches) in length overall before July 1, 2007

Medical

- ✓ No medical certificate required

Marine Emergency Duties (MED)

- ✓ Marine Emergency Duties with respect to basic safety (MED A1)

Restricted Operator's Certificate

- ✓ Restricted Operator's Certificate – Maritime Commercial (ROC-MC)
- ✓ While a Restricted Operator's Certificate (with maritime qualification) (ROC-M) obtained after January 1, 2005 is also accepted, the certificate of service will be valid only for voyages not beyond 25 miles from shore

[Click here to find information about the extra training courses](#)

[Click here to request a Certificate of Service as Master](#)

[Return to start](#)
[Previous page](#)



Certificate of Service as Master, Fishing Vessel of Less Than 60 Gross Tonnage

Printing the instructions sheet will help you fill in your application form. [Click here to open the instructions](#)

To apply for a Certificate of Service, bring all the documents stated below to a Transport Canada Marine Safety (TCMS) Exam Center or send them to the nearest TCMS Exam Center.

1. **PROOF OF IDENTITY:** Provide TCMS the original or a certified copy of one of these documents:

- | | |
|-------------------------------------------------------|----------------------------------------------------------------------------------------|
| <input type="checkbox"/> Driver's License | <input type="checkbox"/> Firearms License |
| <input type="checkbox"/> Provincial Health Care Card | <input type="checkbox"/> Seafarer's Identity Document |
| <input type="checkbox"/> Canadian Passport | <input type="checkbox"/> Canadian Maritime Document |
| <input type="checkbox"/> Permanent Resident Card | <input type="checkbox"/> Federal, Provincial or Municipal employee identification card |
| <input type="checkbox"/> Certificate of Indian Status | <input type="checkbox"/> Old Age Security Card |

2. **MED Training certificate:** Provide proof (original or a certified copy) that you hold a Transport Canada training certificate in Marine Emergency Duties (MED A1).

3. **Radio certificate:** Provide proof (original or a certified copy) that you hold a Restricted Operator's Certificate – Maritime Commercial (ROC-MC) or Restricted Operator's Certificate with Maritime Qualification (ROC-M) issued by [Industry Canada](#).

4. **Payment:** Fees are 27.50 \$. Can be paid at any Transport Canada Marine Safety Exam Center or by money order made to the *Receiver General of Canada*.

5. **Attach the following completed documents to your application**

[\(Click here to see documents\)](#)

[Return to start](#)

[Previous page](#)



Documents to complete to get a Certificate of Service as Master of a Fishing Vessel of Less Than 60 Gross Tonnage

To get a Certificate of Service as Master, bring all the documents stated below to a Transport Canada Marine Safety (TCMS) Exam Center or send them to the nearest TCMS Exam Center:

1. Application for a Fishing Vessel Certificate of Service (Form no 82-0704)

Fill out the application, check which certificate you want, and sign the form.

[\(Click here to open the form\)](#)

2. Testimonial of Sea Service (for a Fishing Vessel Certificate of Service) (Form no 82-0705)

The vessel owner must complete and sign testimonials. If you are the owner, you may complete the form yourself. In this case, you must have the form sworn before a Commissioner of oaths using the proper space on the form.

[\(Click here to open the form\)](#)

3. Statement of Qualifying Service / Fishing Vessel Certificate of Service (Form no 82-0707)

Complete and sign the form using testimonials of sea service obtained from the master or owner. Only fishing seasons carried out before July 1, 2007 can count. Only one season per year will count. List only one season per line. If you have more than seven fishing seasons, make sure you list at least 7 of them on the form.

[\(Click here to open the form\)](#)

[Return to start](#)

[Previous page](#)



Extra Training Courses

SEN

- ✓ Simulated Electronic Navigation, Limited Course (SEN-Limited)

First aid

- ✓ Marine Basic First Aid Course

SVOP

- ✓ Small Vessel Operator Proficiency Training Course



Important: These training courses are not required if you served as master for at least 7 fishing seasons before July 1, 2007.

[Return to start](#)

[Previous page](#)



Phase-in Dates

The requirements to hold a certificate, a training certificate or a Declaration of at Least Seven Fishing Seasons for the master and any other person in charge of the watch begin on the date in the table below:

<u>Vessels</u>	<u>Required Beginning</u>
Vessels with LOA of over 15 m (49 ft 02 in)	November 7, 2008
Vessels with LOA of over 14 m (45 ft 11 in)	November 7, 2009
Vessels with LOA of over 13 m (42 ft 08 in)	November 7, 2010
Vessels with LOA of over 12 m (39 ft 04 in)	November 7, 2012
Vessels with LOA of over 6 m (19 ft 08 in)	November 7, 2015
Vessels of all lengths	November 7, 2016

[Return to start](#)

[Previous page](#)



I must hold as a minimum, a Pleasure Craft Operator Card

Validity on Fishing Vessels

- ✓ Valid as master of a vessel of up to 15 gross tonnage or not more than 12 meters (39 feet 4 inches) in length overall
- ✓ Sheltered waters voyages
- ✓ Voyages up to 2 miles from shore, near coastal voyage, class 2

Service

- ✓ No sea service required

Medical

- ✓ No medical certificate required

Course

- ✓ Contact an accredited course provider in order to obtain a card

[Click here for the complete list of accredited course providers](#)



Important: This training course is not required if you served as master for at least 7 fishing seasons before July 1, 2007.

[Return to start](#)

[Previous page](#)



Required Certificate: Certificate of Service as Master

I need a Certificate of Service as Master before the new requirements come into force.

To see the requirements to get a Certificate of Service as Master [Click here.](#)

To find out the date it comes into force [Click here](#)

[Return to start](#)

[Previous page](#)



Certificate of Service as Master of a Fishing Vessel of Less Than 60 Gross Tonnage: Requirements and Information

Validity

- ✓ Valid as Master, Fishing Vessel of Less Than 60 Gross Tonnage
- ✓ Voyages as specified on the certificate in accordance with experience

Service

- ✓ Served at least 12 months of sea service as master, fishing vessel of at least 15 gross tonnage or at least 12 m (39 feet 4 inches) in length overall before July 1, 2007

Medical

- ✓ No medical certificate required

Marine Emergency Duties (MED)

- ✓ Marine Emergency Duties with respect to basic safety (MED A1)

Restricted Operator's Certificate

- ✓ Restricted Operator's Certificate – Maritime Commercial (ROC-MC)
- ✓ While a Restricted Operator's Certificate (with maritime qualification) (ROC-M) obtained after January 1, 2005 is also accepted, the certificate of service will be valid only for voyages not beyond 25 miles from shore

[Click here to request a Certificate of Service as Master](#)

[Return to start](#)
[Previous page](#)



Phase-in Dates

The requirements to hold a certificate, a training certificate or a Declaration of at Least Seven Fishing Seasons for the master and any other person in charge of the watch begin on the date in the table below:

<u>Vessels</u>	<u>Required Beginning</u>
Vessels with LOA of over 15 m (49 ft 02 in)	November 7, 2008
Vessels with LOA of over 14 m (45 ft 11 in)	November 7, 2009
Vessels with LOA of over 13 m (42 ft 08 in)	November 7, 2010
Vessels with LOA of over 12 m (39 ft 04 in)	November 7, 2012
Vessels with LOA of over 6 m (19 ft 08 in)	November 7, 2015
Vessels of all lengths	November 7, 2016

[Return to start](#)

[Previous page](#)



Certificate of Service as Master, Fishing Vessel of Less Than 60 Gross Tonnage

Printing the instructions sheet will help you fill in your application form. [Click here to open the instructions](#)

To apply for a Certificate of Service, bring all the documents stated below to a Transport Canada Marine Safety (TCMS) Exam Center or send them to the nearest TCMS Exam Center.

1. PROOF OF IDENTITY: Provide TCMS the original or a certified copy of one of these documents:

- | | |
|-------------------------------------------------------|----------------------------------------------------------------------------------------|
| <input type="checkbox"/> Driver's License | <input type="checkbox"/> Firearms License |
| <input type="checkbox"/> Provincial Health Care Card | <input type="checkbox"/> Seafarer's Identity Document |
| <input type="checkbox"/> Canadian Passport | <input type="checkbox"/> Canadian Maritime Document |
| <input type="checkbox"/> Permanent Resident Card | <input type="checkbox"/> Federal, Provincial or Municipal employee identification card |
| <input type="checkbox"/> Certificate of Indian Status | <input type="checkbox"/> Old Age Security Card |

2. MED Training certificate: Provide proof (original or a certified copy) that you hold a Transport Canada training certificate in Marine Emergency Duties (MED A1).

3. Radio certificate: Provide proof (original or a certified copy) that you hold a Restricted Operator's Certificate – Maritime Commercial (ROC-MC) or Restricted Operator's Certificate with Maritime Qualification (ROC-M) issued by Industry Canada.

4. Payment: Fees are 27.50 \$. Can be paid at any Transport Canada Marine Safety Exam Center or by money order made to the *Receiver General of Canada*.

5. Attach the following completed documents to your application

[\(Click here to see documents\)](#)

[Return to start](#)

[Previous page](#)



Documents to complete to get a Certificate of Service as Master of a Fishing Vessel of Less Than 60 Gross Tonnage

To get a Certificate of Service as Master, bring all the documents stated below to a Transport Canada Marine Safety (TCMS) Exam Center or send them to the nearest TCMS Exam Center:

1. Application for a Fishing Vessel Certificate of Service (Form no 82-0704)

Fill out the application, check which certificate you want, and sign the form.

[\(Click here to open the form\)](#)

2. Testimonial of Sea Service (for a Fishing Vessel Certificate of Service) (Form no 82-0705)

The vessel owner must complete and sign testimonials. If you are the owner, you may complete the form yourself. In this case, you must have the form sworn before a Commissioner of oaths using the proper space on the form.

[\(Click here to open the form\)](#)

3. Statement of Qualifying Service / Fishing Vessel Certificate of Service (Form no 82-0707)

Complete and sign the form using testimonials of sea service obtained from the master or owner. Only fishing seasons carried out before July 1, 2007 can count. Only one season per year will count. List only one season per line. If you have more than seven fishing seasons, make sure you list at least 7 of them on the form.

[\(Click here to open the form\)](#)

[Return to start](#)

[Previous page](#)



Operations Areas

Specify at what maximum distance from shore you carry out your fishing operations (click on the button that matches your answer).

My fishing takes me no further than 25 miles from the coast.

Yes

No

[Return to start](#)

[Previous page](#)



Certificate Required: Certificate of Service as Master or Small Vessel Operator Proficiency Training Certificate

Click the link at the end of the correct statement:

- 1. I can get a Certificate of Service as Master BUT I need to take some extra training courses ([Click here](#))**

OR

- 2. I can get a Small Vessel Operator Proficiency Training Certificate ([Click here](#))**

[Return to start](#)

[Previous page](#)



Required Certificate: Certificate of Service as Master

I need a Certificate of Service as Master before the new requirements come into force BUT I must also take some extra training courses.

To see the requirements to get a Certificate of Service as Master and to find out about the extra training courses you must complete [Click here.](#)

To find out the date it comes into force [Click here.](#)

[Return to start](#)

[Previous page](#)



Certificate of Service as Master of a Fishing Vessel of Less Than 60 Gross Tonnage: Requirements and Information

Validity

- ✓ Valid as Master, Fishing Vessel of Less Than 60 Gross Tonnage
- ✓ Voyages as specified on the certificate in accordance with experience

Service

- ✓ Served at least 12 months of sea service as master, fishing vessel of at least 15 gross tonnage or at least 12 m (39 feet 4 inches) in length overall before July 1, 2007

Medical

- ✓ No medical certificate required

Marine Emergency Duties (MED)

- ✓ Marine Emergency Duties with respect to basic safety (MED A1)

Restricted Operator's Certificate

- ✓ Restricted Operator's Certificate – Maritime Commercial (ROC-MC)
- ✓ While a Restricted Operator's Certificate (with maritime qualification) (ROC-M) obtained after January 1, 2005 is also accepted, the certificate of service will be valid only for voyages not beyond 25 miles from shore

[Click here to find information about the extra training courses](#)

[Click here to request a Certificate of Service as Master](#)

[Return to start](#)

[Previous page](#)



Certificate of Service as Master, Fishing Vessel of Less Than 60 Gross Tonnage

Printing the instructions sheet will help you fill in your application form. [Click here to open the instructions](#)

To apply for a Certificate of Service, bring all the documents stated below to a Transport Canada Marine Safety (TCMS) Exam Center or send them to the nearest TCMS Exam Center.

1. PROOF OF IDENTITY: Provide TCMS the original or a certified copy of one of these documents:

- | | |
|-------------------------------------------------------|----------------------------------------------------------------------------------------|
| <input type="checkbox"/> Driver's License | <input type="checkbox"/> Firearms License |
| <input type="checkbox"/> Provincial Health Care Card | <input type="checkbox"/> Seafarer's Identity Document |
| <input type="checkbox"/> Canadian Passport | <input type="checkbox"/> Canadian Maritime Document |
| <input type="checkbox"/> Permanent Resident Card | <input type="checkbox"/> Federal, Provincial or Municipal employee identification card |
| <input type="checkbox"/> Certificate of Indian Status | <input type="checkbox"/> Old Age Security Card |

2. MED Training certificate: Provide proof (original or a certified copy) that you hold a Transport Canada training certificate in Marine Emergency Duties (MED A1).

3. Radio certificate: Provide proof (original or a certified copy) that you hold a Restricted Operator's Certificate – Maritime Commercial (ROC-MC) or Restricted Operator's Certificate with Maritime Qualification (ROC-M) issued by Industry Canada.

4. Payment: Fees are 27.50 \$. Can be paid at any Transport Canada Marine Safety Exam Center or by money order made to the *Receiver General of Canada*.

5. Attach the following completed documents to your application

[\(Click here to see documents\)](#)

[Return to start](#)

[Previous page](#)



Documents to complete to get a Certificate of Service as Master of a Fishing Vessel of Less Than 60 Gross Tonnage

To get a Certificate of Service as Master, bring all the documents stated below to a Transport Canada Marine Safety (TCMS) Exam Center or send them to the nearest TCMS Exam Center:

1. Application for a Fishing Vessel Certificate of Service (Form no 82-0704)

Fill out the application, check which certificate you want, and sign the form.

[\(Click here to open the form\)](#)

2. Testimonial of Sea Service (for a Fishing Vessel Certificate of Service) (Form no 82-0705)

The vessel owner must complete and sign testimonials. If you are the owner, you may complete the form yourself. In this case, you must have the form sworn before a Commissioner of oaths using the proper space on the form.

[\(Click here to open the form\)](#)

3. Statement of Qualifying Service / Fishing Vessel Certificate of Service (Form no 82-0707)

Complete and sign the form using testimonials of sea service obtained from the master or owner. Only fishing seasons carried out before July 1, 2007 can count. Only one season per year will count. List only one season per line. If you have more than seven fishing seasons, make sure you list at least 7 of them on the form.

[\(Click here to open the form\)](#)

[Return to start](#)

[Previous page](#)



Extra Training Courses

SEN

- ✓ Simulated Electronic Navigation, Limited Course (SEN-Limited)

First aid

- ✓ Marine Basic First Aid Course

SVOP

- ✓ Small Vessel Operator Proficiency Training Course



Important: These training courses are not required if you served as master for at least 7 fishing seasons before July 1, 2007.

[Return to start](#)

[Previous page](#)



Phase-in Dates

The requirements to hold a certificate, a training certificate or a Declaration of at Least Seven Fishing Seasons for the master and any other person in charge of the watch begin on the date in the table below:

<u>Vessels</u>	<u>Required Beginning</u>
Vessels with LOA of over 15 m (49 ft 02 in)	November 7, 2008
Vessels with LOA of over 14 m (45 ft 11 in)	November 7, 2009
Vessels with LOA of over 13 m (42 ft 08 in)	November 7, 2010
Vessels with LOA of over 12 m (39 ft 04 in)	November 7, 2012
Vessels with LOA of over 6 m (19 ft 08 in)	November 7, 2015
Vessels of all lengths	November 7, 2016

[Return to start](#)

[Previous page](#)



I must hold a Small Vessel Operator Proficiency Training Certificate

Validity on Fishing Vessels

- ✓ Valid as master of a vessel of up to 15 gross tonnage or not more than 12 meters (39 feet 4 inches) in length overall
- ✓ Near coastal voyage, class 2, that is to say, 25 miles from shore
- ✓ The validity of this training certificate may also go up to 50 miles from shore, if the holder has been fishing beyond 25 miles from shore before July 1, 2007

Service

- ✓ No sea service required

Medical

- ✓ No medical certificate required

Course

- ✓ Follow the approved Small Vessel Operator Proficiency Training Course at a recognized institution



Important: This training course is not required if you served as master for at least 7 fishing seasons before July 1, 2007.

[Return to start](#)

[Previous page](#)



Required Certificate: Certificate of Service as Master

I need a Certificate of Service as Master before the new requirements come into force BUT I must also complete some extra training courses.

To see the requirements to get a Certificate of Service as Master and to find out about the extra training courses you must complete [Click here.](#)

To find out the date it comes into force [Click here.](#)

[Return to start](#)

[Previous page](#)



Certificate of Service as Master of a Fishing Vessel of Less Than 60 Gross Tonnage: Requirements and Information

Validity

- ✓ Valid as Master, Fishing Vessel of Less Than 60 Gross Tonnage
- ✓ Voyages as specified on the certificate in accordance with experience

Service

- ✓ Served at least 12 months of sea service as master, fishing vessel of at least 15 gross tonnage or at least 12 m (39 feet 4 inches) in length overall before July 1, 2007.

Medical

- ✓ No medical certificate required

Marine Emergency Duties (MED)

- ✓ Marine Emergency Duties with respect to basic safety (MED A1)

Restricted Operator's Certificate

- ✓ Restricted Operator's Certificate – Maritime Commercial (ROC-MC)
- ✓ While a Restricted Operator's Certificate (with maritime qualification) (ROC-M) obtained after January 1, 2005 is also accepted, the certificate of service will be valid only for voyages not beyond 25 miles from shore.

[Click here to find information about the extra training courses](#)

[Click here to request a Certificate of Service as Master](#)

[Return to start](#)

[Previous page](#)



Certificate of Service as Master, Fishing Vessel of Less Than 60 Gross Tonnage

Printing the instructions sheet will help you fill in your application form. [Click here to open the instructions](#)

To apply for a Certificate of Service, bring all the documents stated below to a Transport Canada Marine Safety (TCMS) Exam Center or send them to the nearest TCMS Exam Center.

1. PROOF OF IDENTITY: Provide TCMS the original or a certified copy of one of these documents:

- | | |
|-------------------------------------------------------|----------------------------------------------------------------------------------------|
| <input type="checkbox"/> Driver's License | <input type="checkbox"/> Firearms License |
| <input type="checkbox"/> Provincial Health Care Card | <input type="checkbox"/> Seafarer's Identity Document |
| <input type="checkbox"/> Canadian Passport | <input type="checkbox"/> Canadian Maritime Document |
| <input type="checkbox"/> Permanent Resident Card | <input type="checkbox"/> Federal, Provincial or Municipal employee identification card |
| <input type="checkbox"/> Certificate of Indian Status | <input type="checkbox"/> Old Age Security Card |

2. MED Training certificate: Provide proof (original or a certified copy) that you hold a Transport Canada training certificate in Marine Emergency Duties (MED A1).

3. Radio certificate: Provide proof (original or a certified copy) that you hold a Restricted Operator's Certificate – Maritime Commercial (ROC-MC) or Restricted Operator's Certificate with Maritime Qualification (ROC-M) issued by Industry Canada.

4. Payment: Fees are 27.50 \$. Can be paid at any Transport Canada Marine Safety Exam Center or by money order made to the *Receiver General of Canada*.

5. Attach the following completed documents to your application

[\(Click here to see documents\)](#)

[Return to start](#)

[Previous page](#)



Documents to complete to get a Certificate of Service as Master of a Fishing Vessel of Less Than 60 Gross Tonnage

To get a Certificate of Service as Master, bring all the documents stated below to a Transport Canada Marine Safety (TCMS) Exam Center or send them to the nearest TCMS Exam Center:

1. Application for a Fishing Vessel Certificate of Service (Form no 82-0704)

Fill out the application, check which certificate you want, and sign the form.

[\(Click here to open the form\)](#)

2. Testimonial of Sea Service (for a Fishing Vessel Certificate of Service) (Form no 82-0705)

The vessel owner must complete and sign testimonials. If you are the owner, you may complete the form yourself. In this case, you must have the form sworn before a Commissioner of oaths using the proper space on the form.

[\(Click here to open the form\)](#)

3. Statement of Qualifying Service / Fishing Vessel Certificate of Service (Form no 82-0707)

Complete and sign the form using testimonials of sea service obtained from the master or owner. Only fishing seasons carried out before July 1, 2007 can count. Only one season per year will count. List only one season per line. If you have more than seven fishing seasons, make sure you list at least 7 of them on the form.

[\(Click here to open the form\)](#)

[Return to start](#)

[Previous page](#)



Extra Training Courses

SEN

- ✓ Simulated Electronic Navigation, Limited Course (SEN-Limited)

First aid

- ✓ Marine Basic First Aid Course

SVOP

- ✓ Small Vessel Operator Proficiency Training Course



Important: These training courses are not required if you served as master for at least 7 fishing seasons before July 1, 2007.

[Return to start](#)

[Previous page](#)



Phase-in Dates

The requirements to hold a certificate, a training certificate or a Declaration of at Least Seven Fishing Seasons for the master and any other person in charge of the watch begin on the date in the table below:

<u>Vessels</u>	<u>Required Beginning</u>
Vessels with LOA of over 15 m (49 ft 02 in)	November 7, 2008
Vessels with LOA of over 14 m (45 ft 11 in)	November 7, 2009
Vessels with LOA of over 13 m (42 ft 08 in)	November 7, 2010
Vessels with LOA of over 12 m (39 ft 04 in)	November 7, 2012
Vessels with LOA of over 6 m (19 ft 08 in)	November 7, 2015
Vessels of all lengths	November 7, 2016

[Return to start](#)

[Previous page](#)



Operations Areas

Specify at what maximum distance from shore you carry out your fishing operations (click on the button that matches your answer).

My fishing takes me no further than 2 miles from the coast.

Yes

No

[Return to start](#)

[Previous page](#)



I must hold as a minimum, a Pleasure Craft Operator Card

Validity on Fishing Vessels

- ✓ Valid as master of a vessel of up to 15 gross tonnage or not more than 12 meters (39 feet 4 inches) in length overall
- ✓ Sheltered waters voyages
- ✓ Voyages up to 2 miles from shore, near coastal voyage, class 2

Service

- ✓ No sea service required

Medical

- ✓ No medical certificate required

Course

- ✓ Contact an accredited course provider in order to obtain a card

[Click here for the complete list of accredited course providers](#)



Important: This training course is not required if you served as master for at least seven fishing seasons before July 1, 2007.

[Return to start](#)

[Previous page](#)



Operations Areas

Specify at what maximum distance from shore you carry out your fishing operations (click on the button that matches your answer).

My fishing takes me no further than 25 miles from the coast.

Yes

No

[Return to start](#)

[Previous page](#)



I must hold a Small Vessel Operator Proficiency Training Certificate

Validity on Fishing Vessels

- ✓ Valid as master of a vessel of up to 15 gross tonnage or not more than 12 meters (39 feet 4 inches) in length overall
- ✓ Near coastal voyage, class 2, that is to say, 25 miles from shore
- ✓ The validity of this training certificate may go up to 50 miles from shore, if the holder has been fishing beyond 25 miles from shore before July 1, 2007

Service

- ✓ No sea service required

Medical

- ✓ No medical certificate required

Course

- ✓ Follow the approved Small Vessel Operator Proficiency Training Course at a recognized institution



Important: This training course is not required if you served as master for at least 7 fishing seasons before July 1, 2007.

[Return to start](#)

[Previous page](#)



Fishing Master, Fourth Class Certificate: Requirements and Information

Validity on Fishing Vessels

- ✓ Valid as master, vessel of up to 100 gross tonnage and as officer in charge of the watch, vessel unlimited tonnage
- ✓ Near coastal voyages, class 1 ([Click here to see the definitions of voyages](#))

Service

- ✓ 12 months of sea service, deck duties, fishing vessel of at least 6 m (19 feet 8 inches)

Medical

- ✓ Hold a valid Marine Medical Certificate or a Provisional Marine Medical Certificate

Marine Emergency Duties (MED)

- ✓ Marine Emergency Duties with respect to basic safety (MED A1)

Restricted Operator's Certificate

- ✓ Restricted Operator Certificate-Maritime Commercial (ROC-MC)

SEN

- ✓ Simulated Electronic Navigation, Limited Course (SEN-Limited)

First Aid

- ✓ Marine Advanced First Aid Training

Exams

- ✓ Pass exams to obtain the certificate [Click here to see the exams](#)

[Return to start](#)

[Previous page](#)



Exams for getting a Fishing Master, Fourth Class Certificate

To get this certificate, you must pass these Transport Canada exams:

- 1. Chartwork and Pilotage, level 1**
- 2. Navigation Safety, level 1**
- 3. Ship Construction and Stability, level 1**
- 4. Oral Examination on General Seamanship Knowledge**

**For more information, please contact an examiner from
a Transport Canada Marine Safety Examination
Center.**

[Return to start](#)

[Previous page](#)



Fishing Master, Fourth Class Certificate: Requirements and Information

Validity on Fishing Vessels

- ✓ Valid as master, vessel of up to 100 gross tonnage and as officer in charge of the watch, vessel unlimited tonnage
- ✓ Near coastal voyages, class 1 ([Click here to see the definitions of voyages](#))

Service

- ✓ 12 months of sea service, deck duties, fishing vessel of at least 6 m (19 feet 8 inches)

Medical

- ✓ Hold a valid Marine Medical Certificate or a Provisional Marine Medical Certificate

Marine Emergency Duties (MED)

- ✓ Marine Emergency Duties with respect to basic safety (MED A1)

Restricted Operator's Certificate

- ✓ Restricted Operator Certificate-Maritime Commercial (ROC-MC)

SEN

- ✓ Simulated Electronic Navigation, Limited Course (SEN-Limited)

First Aid

- ✓ Marine Advanced First Aid Training

Exams

- ✓ Pass exams to obtain the certificate [Click here to see the exams](#)

[Return to start](#)

[Previous page](#)



Exams for getting a Fishing Master, Fourth Class Certificate

To get this certificate, you must pass these Transport Canada exams:

- 1. Chartwork and Pilotage, level 1**
- 2. Navigation Safety, level 1**
- 3. Ship Construction and Stability, level 1**
- 4. Oral Examination on General Seamanship Knowledge**

**For more information, please contact an examiner from
a Transport Canada Marine Safety Examination
Center.**

[Return to start](#)

[Previous page](#)



Fishing Master, Fourth Class Certificate: Requirements and Information

Validity on Fishing Vessels

- ✓ Valid as master, vessel of up to 100 gross tonnage and as officer in charge of the watch, vessel unlimited tonnage
- ✓ Near coastal voyages, class 1 ([Click here to see the definitions of voyages](#))

Service

- ✓ 12 months of sea service, deck duties, fishing vessel of at least 6 m (19 feet 8 inches)

Medical

- ✓ Hold a valid Marine Medical Certificate or a Provisional Marine Medical Certificate

Marine Emergency Duties (MED)

- ✓ Marine Emergency Duties with respect to basic safety (MED A1)

Restricted Operator's Certificate

- ✓ Restricted Operator Certificate-Maritime Commercial (ROC-MC)

SEN

- ✓ Simulated Electronic Navigation, Limited Course (SEN-Limited)

First Aid

- ✓ Marine Advanced First Aid Training

Exams

- ✓ Pass exams to obtain the certificate ([Click here to see the exams](#))

[Return to start](#)

[Previous page](#)



Exams for getting a Fishing Master, Fourth Class Certificate

To get this certificate, you must pass these Transport Canada exams:

- 1. Chartwork and Pilotage, level 1**
- 2. Navigation Safety, level 1**
- 3. Ship Construction and Stability, level 1**
- 4. Oral Examination on General Seamanship Knowledge**

**For more information, please contact an examiner from
a Transport Canada Marine Safety Examination
Center.**

[Return to start](#)

[Previous page](#)



Operations Areas

Specify at what maximum distance from shore you carry out your fishing operations (click on the button that matches your answer).

My fishing takes me no further than 2 miles from the coast.

Yes

No

[Return to start](#)

[Previous page](#)



I must hold as a minimum, a Pleasure Craft Operator Card

Validity on Fishing Vessels

- ✓ Valid as master of a vessel of up to 15 gross tonnage or not more than 12 meters (39 feet 4 inches) in length overall
- ✓ Sheltered waters voyages
- ✓ Voyages up to 2 miles from shore, near coastal voyage, class 2

Service

- ✓ No sea service required

Medical

- ✓ No medical certificate required

Course

- ✓ Contact an accredited course provider in order to obtain a card

[Click here for the complete list of accredited course providers](#)



Important: This training course is not required if you served as master for at least 7 fishing seasons before July 1, 2007.

[Return to start](#)

[Previous page](#)



I must hold a Small Vessel Operator Proficiency Training Certificate

Validity on Fishing Vessels

- ✓ Valid as master of a vessel of up to 15 gross tonnage or not more than 12 meters (39 feet 4 inches) in length overall
- ✓ Near coastal voyage, class 2, that is to say, 25 miles from shore
- ✓ The validity of this training certificate may go up to 50 miles from shore, if the holder has been fishing beyond 25 miles from shore before July 1, 2007

Service

- ✓ No sea service required

Medical

- ✓ No medical certificate required

Course

- ✓ Follow the approved Small Vessel Operator Proficiency Training Course at a recognized institution



Important: This training course is not required if you served as master for at least 7 fishing seasons before July 1, 2007.

[Return to start](#)

[Previous page](#)



Voyage Definitions

Summary of some voyage limits that are of interest for fishermen

« **Near coastal voyage, class 1** »: within 200 miles from shore or above the continental shelf between places in Canada, the United States (except Hawaiï), Saint Pierre and Miquelon, the West Indies, Mexico and north of latitude 6°N in Central America or South America.

« **Near coastal voyage, class 2** »: within 25 miles from shore in waters contiguous to Canada, the United States (except Hawaiï) or Saint Pierre and Miquelon, within 100 miles from a place of refuge.

« **Sheltered waters voyage** »: Voyage that is in Canada on a lake, or a river above tidal waters, never further than one mile from shore or that is on the waters listed in Schedule 1 of the *Vessel certificates regulations* during the periods indicated.

*Note: You can find full definitions of all types of voyage in the **Vessel Certificates Regulations** and in the **Marine Personnel Regulations**.*

[Return to start](#)

[Previous page](#)



Voyage Definitions

Summary of some voyage limits that are of interest for fishermen

« **Near coastal voyage, class 1** »: within 200 miles from shore or above the continental shelf between places in Canada, the United States (except Hawaiï), Saint Pierre and Miquelon, the West Indies, Mexico and north of latitude 6°N in Central America or South America.

« **Near coastal voyage, class 2** »: within 25 miles from shore in waters contiguous to Canada, the United States (except Hawaiï) or Saint Pierre and Miquelon, within 100 miles from a place of refuge.

« **Sheltered waters voyage** »: Voyage that is in Canada on a lake, or a river above tidal waters, never further than one mile from shore or that is on the waters listed in Schedule 1 of the *Vessel certificates regulations* during the periods indicated.

*Note: You can find full definitions of all types of voyage in the **Vessel Certificates Regulations** and in the **Marine Personnel Regulations**.*

[Return to start](#)

[Previous page](#)



Voyage Definitions

Summary of some voyage limits that are of interest for fishermen

« **Near coastal voyage, class 1** »: within 200 miles from shore or above the continental shelf between places in Canada, the United States (except Hawaiï), Saint Pierre and Miquelon, the West Indies, Mexico and north of latitude 6°N in Central America or South America.

« **Near coastal voyage, class 2** »: within 25 miles from shore in waters contiguous to Canada, the United States (except Hawaiï) or Saint Pierre and Miquelon, within 100 miles from a place of refuge.

« **Sheltered waters voyage** »: Voyage that is in Canada on a lake, or a river above tidal waters, never further than one mile from shore or that is on the waters listed in Schedule 1 of the *Vessel certificates regulations* during the periods indicated.

*Note: You can find full definitions of all types of voyage in the **Vessel Certificates Regulations** and in the **Marine Personnel Regulations**.*

[Return to start](#)

[Previous page](#)



Voyage Definitions

Summary of some voyage limits that are of interest for fishermen

« **Near coastal voyage, class 1** »: within 200 miles from shore or above the continental shelf between places in Canada, the United States (except Hawaiï), Saint Pierre and Miquelon, the West Indies, Mexico and north of latitude 6°N in Central America or South America.

« **Near coastal voyage, class 2** »: within 25 miles from shore in waters contiguous to Canada, the United States (except Hawaiï) or Saint Pierre and Miquelon, within 100 miles from a place of refuge.

« **Sheltered waters voyage** »: Voyage that is in Canada on a lake, or a river above tidal waters, never further than one mile from shore or that is on the waters listed in Schedule 1 of the *Vessel certificates regulations* during the periods indicated.

*Note: You can find full definitions of all types of voyage in the **Vessel Certificates Regulations** and in the **Marine Personnel Regulations**.*

[Return to start](#)

[Previous page](#)



Officer of a Fishing Vessel

On which type of vessel do you carry out the watchkeeping duties? (Click on the button that matches your answer)

**You will need to know the gross tonnage and length overall of your vessel to answer next questions.
([Click here for length overall definition](#))*

I sometimes hold the watch on a fishing vessel of more than 15 gross tonnage and more than 12 meters (39 feet 4 inches) in length overall.

Yes

No

[Return to start](#)

[Previous page](#)



Experience as a Watchkeeping Officer

Specify your experience as a watchkeeping officer of a fishing vessel (click on the button that matches your answer).

I held the watch on a fishing vessel or fishing vessels of at least 15 gross tonnage OR at least 12 meters (39 feet 4 inches) in length overall for at least 12 months before July 1, 2007.

Yes

No

[Return to start](#)

[Previous page](#)



Experience as a Watchkeeping Officer

*Specify your experience (*fishing seasons) as watchkeeping officer of a fishing vessel (click on the button that matches your answer).*

**Fishing season: A fishing season is the total time spent fishing each year. A fishing season can last from a few weeks to many months depending on the types of fishing done. No two fishing seasons can occur during the same year.*

I served as a watch keeper on a fishing vessel for at least 7 fishing seasons before July 1, 2007.

Yes

No

[Return to start](#)

[Previous page](#)



Certificate Required: Certificate of Service as Watchkeeping Mate of a Fishing Vessel of Less Than 24 metres in length overall

I need a Certificate of Service as Watchkeeping Mate of a Fishing Vessel of Less Than 24 metres in length overall before the new requirements come into force.

To see the requirements to get a Certificate of Service as Watchkeeping Mate [Click here.](#)

To find out the date it comes into force [Click here.](#)

[Return to start](#)

[Previous page](#)



Certificate of Service as Watchkeeping Mate of a Fishing Vessel of Less Than 24 Metres in Length Overall: Requirements and Information

Validity on Fishing Vessels

- ✓ Valid as officer in charge of the watch on a vessel of not more than 24 metres in length overall
- ✓ Voyages as specified on the certificate in accordance with experience

Service

- ✓ Served 12 months of sea service as watchkeeping person, fishing vessels of at least 15 gross tonnage or at least 12 m (39 feet 4 inches) in length overall before July 1, 2007

Medical

- ✓ No medical certificate required

Marine Emergency Duties (MED)

- ✓ Marine Emergency Duties with respect to basic safety (MED A1)

Restricted Operator's Certificate

- ✓ Restricted Operator's Certificate – Maritime Commercial (ROC-MC)
- ✓ While a Restricted Operator's Certificate (with maritime qualification) (ROC-M) obtained after January 1, 2005 is also accepted, the certificate of service will be valid only for voyages not beyond 25 miles from shore

[**Click here to request a Certificate of Service as Watchkeeping Mate**](#)

[Return to start](#)
[Previous page](#)



Phase-in Dates

The requirements to hold a certificate, a training certificate or a Declaration of at Least Seven Fishing Seasons for the master and any other person in charge of the watch begin on the date in the table below:

<u>Vessels</u>	<u>Required Beginning</u>
Vessels with LOA of over 15 m (49 ft 02 in)	November 7, 2008
Vessels with LOA of over 14 m (45 ft 11 in)	November 7, 2009
Vessels with LOA of over 13 m (42 ft 08 in)	November 7, 2010
Vessels with LOA of over 12 m (39 ft 04 in)	November 7, 2012
Vessels with LOA of over 6 m (19 ft 08 in)	November 7, 2015
Vessels of all lengths	November 7, 2016

[Return to start](#)

[Previous page](#)



Certificate of Service as Watchkeeping Mate of a Fishing Vessel of Less Than 24 Metres in Length Overall

Printing the instructions sheet will help you fill in your application form. [Click here to open the instructions](#)

To apply for a Certificate of Service, bring all the documents stated below to a Transport Canada Marine Safety (TCMS) Exam Center or send them to the nearest TCMS Exam Center.

1. PROOF OF IDENTITY: Provide TCMS the original or a certified copy of one of these documents:

- | | |
|-------------------------------------------------------|----------------------------------------------------------------------------------------|
| <input type="checkbox"/> Driver's License | <input type="checkbox"/> Firearms License |
| <input type="checkbox"/> Provincial Health Care Card | <input type="checkbox"/> Seafarer's Identity Document |
| <input type="checkbox"/> Canadian Passport | <input type="checkbox"/> Canadian Maritime Document |
| <input type="checkbox"/> Permanent Resident Card | <input type="checkbox"/> Federal, Provincial or Municipal employee identification card |
| <input type="checkbox"/> Certificate of Indian Status | <input type="checkbox"/> Old Age Security Card |

2. MED Training certificate: Provide proof (original or a certified copy) that you hold a Transport Canada training certificate in Marine Emergency Duties (MED A1).

3. Radio certificate: Provide proof (original or a certified copy) that you hold a Restricted Operator's Certificate – Maritime Commercial (ROC-MC) or Restricted Operator's Certificate with Maritime Qualification (ROC-M) issued by Industry Canada.

4. Payment: Fees are 27.50 \$. Can be paid at any Transport Canada Marine Safety Exam Center or by money order made to the *Receiver General of Canada*.

5. Attach the following completed documents to your application

[Click here to see documents](#)

[Return to start](#)

[Previous page](#)



Documents to complete to get a Certificate of Service as Watchkeeping Mate of a Fishing Vessel of Less Than 24 Metres in Length Overall

To get a Certificate of Service as Watchkeeping Mate, bring all the documents stated below to a Transport Canada Marine Safety (TCMS) Exam Center or send them to the nearest TCMS Exam Center:

1. Application for a Fishing Vessel Certificate of Service (Form no 82-0704)

Fill out the application, check which certificate you want, and sign the form.

[\(Click here to open the form\)](#)

2. Testimonial of Sea Service (for a Fishing Vessel Certificate of Service) (Form no 82-0705)

The master or vessel owner must complete and sign testimonials.

[\(Click here to open the form\)](#)

3. Statement of Qualifying Service / Fishing Vessel Certificate of Service (Form no 82-0707)

Complete and sign the form using testimonials of sea service obtained from the master or owner. Only fishing seasons carried out before July 1, 2007 can count. Only one season per year will count. List only one season per line. If you have more than seven fishing seasons, make sure you list at least 7 of them on the form.

[\(Click here to open the form\)](#)

[Return to start](#)

[Previous page](#)



Certificate Required: Watchkeeping Officer of a Fishing Vessel of Less Than 24 Metres in Length Overall

I need a Certificate of Watchkeeping Officer before the new requirements come into force.

To see the requirements to get a Watchkeeping Officer of a Fishing Vessel of Less Than 24 Metres in Length Overall [Click here.](#)

To find out the date it comes into force [Click here.](#)

[Return to start](#)

[Previous page](#)



Certificate of Watchkeeping Officer of a Fishing vessel of Less Than 24 Metres in Length Overall

Validity

- ✓ Valid as officer in charge of the watch on a fishing vessel of less than 24 meters (78 feet 9 inches) in length overall, near coastal voyage, class 1 in Canada, United States and St-Pierre and Miquelon ([Click here to see the definitions of voyages](#))
- ✓ Valid as master of a fishing vessel of up to 15 gross tonnage or not more than 12 meters (39 feet 4 inches) in length overall, near coastal voyage, class 2 or sheltered waters

Service

- ✓ 6 months of sea service, deck duties, fishing vessel of at least 6 m (19 feet 8 inches)

Medical

- ✓ Hold a valid Marine Medical Certificate or a Provisional Marine Medical Certificate

Marine Emergency Duties (MED)

- ✓ Marine Emergency Duties with respect to basic safety (MED A1)

Radio Operator Certificate

- ✓ Restricted Operator Certificate-Maritime commercial (ROC-MC)

SEN

- ✓ Simulated Electronic Navigation, Limited Course (SEN-Limited)

First Aid

- ✓ Marine Basic First Aid Training

Exams

- ✓ Pass the exams [Click here to see the exams](#)

[Return to start](#)

[Previous page](#)



Exams for getting a Certificate of Watchkeeping Officer of a Fishing Vessel of Less Than 24 Metres in Length Overall

To get this certificate, you must pass these Transport Canada exams:

- 1. Chartwork and Navigation Safety**
- 2. Oral Examination on General Seamanship and Stability**

**For more information, please contact an examiner
from a Transport Canada Marine Safety
Examination Center.**

[Return to start](#)

[Previous page](#)



Officer of a Fishing Vessel

On which type of vessel do you carry out the watchkeeping duties? (Click on the button that matches your answer).

**You will need to know the gross tonnage and length overall of your vessel to answer next questions.
([Click here for length overall definition](#))*

I sometimes hold the watch on a fishing vessel of 15 gross tonnage OR MORE but of LESS than 12 meters (39 feet 4 inches) in length overall.

Yes

No

[Return to start](#)

[Previous page](#)



Experience as a Watchkeeping Officer

Specify your experience as a watchkeeping officer of a fishing vessel (click on the button that matches your answer).

I held the watch on a fishing vessel or fishing vessels of at least 15 gross tonnage OR at least 12 meters (39 feet 4 inches) in length overall for at least 12 months before July 1, 2007.

Yes

No

[Return to start](#)

[Previous page](#)



Experience as a Watchkeeping Officer

*Specify your experience (*fishing seasons) as watchkeeping officer of a fishing vessel (click on the button that matches your answer).*

**Fishing season: A fishing season is the total time spent fishing each year. A fishing season can last from a few weeks to many months, depending on the types of fishing done. No two fishing seasons can occur during the same year.*

I served as a watch keeper on a fishing vessel for at least 7 fishing seasons before July 1, 2007.

Yes

No

[Return to start](#)

[Previous page](#)



Operations Areas

Specify at what maximum distance from shore you carry out your fishing operations (click on the button that matches your answer).

My fishing takes me no further than 25 miles from the coast.

Yes

No

[Return to start](#)

[Previous page](#)



Required Certificate: Certificate of Service as Watchkeeping Mate or Being Exempted

Click on the link at the end of the correct statement.

- 1. I can get a Certificate of Service as Watchkeeping Mate of a Fishing Vessel of Less Than 24 Metres in Length Overall ([Click here](#))**

OR

- 2. I can benefit from an Exemption and hold a Declaration of my Experience as Watchkeeper of a Fishing Vessel ([Click here](#))**

[Return to start](#)

[Previous page](#)



Certificate Required: Certificate of Service as Watchkeeping Mate of a Fishing Vessel of Less Than 24 Metres in Length Overall

I need a Certificate of Service as Watchkeeping Mate of a Fishing Vessel of Less Than 24 Metres in Length Overall before the new requirements come into force.

To see the requirements to get a Certificate of Service as Watchkeeping Mate [Click here.](#)

To find out the date it comes into force [Click here.](#)

[Return to start](#)

[Previous page](#)



Certificate of Service as Watchkeeping Mate of a Fishing Vessel of Less Than 24 Metres in Length Overall: Requirements and Information

Validity on Fishing Vessels

- ✓ Valid as officer in charge of the watch on a vessel of not more than 24 metres in length overall
- ✓ Voyages as specified on the certificate in accordance with experience

Service

- ✓ Served 12 months of sea service as watchkeeping person, fishing vessels of at least 15 gross tonnage or at least 12 m (39 feet 4 inches) in length overall before July 1, 2007

Medical

- ✓ No medical certificate required

Marine Emergency Duties (MED)

- ✓ Marine Emergency Duties with respect to basic safety (MED A1)

Restricted Operator's Certificate

- ✓ Restricted Operator's Certificate – Maritime Commercial (ROC-MC)
- ✓ While a Restricted Operator's Certificate (with maritime qualification) (ROC-M) obtained after January 1, 2005 is also accepted, the certificate of service will be valid only for voyages not beyond 25 miles from shore

[Click here to request a Certificate of Service as Watchkeeping Mate](#)

[Return to start](#)
[Previous page](#)



Phase-in Dates

The requirements to hold a certificate, a training certificate or a Declaration of at Least Seven Fishing Seasons for the master and any other person in charge of the watch begin on the date in the table below:

<u>Vessels</u>	<u>Required Beginning</u>
Vessels with LOA of over 15 m (49 ft 02 in)	November 7, 2008
Vessels with LOA of over 14 m (45 ft 11 in)	November 7, 2009
Vessels with LOA of over 13 m (42 ft 08 in)	November 7, 2010
Vessels with LOA of over 12 m (39 ft 04 in)	November 7, 2012
Vessels with LOA of over 6 m (19 ft 08 in)	November 7, 2015
Vessels of all lengths	November 7, 2016

[Return to start](#)

[Previous page](#)



Certificate of Service as Watchkeeping Mate of a Fishing Vessel of Less Than 24 Metres in Length Overall

Printing the instructions sheet will help you fill in your application form. [Click here to open the instructions](#)

To apply for a Certificate of Service, bring all the documents stated below to a Transport Canada Marine Safety (TCMS) Exam Center or send them to the nearest TCMS Exam Center.

1. PROOF OF IDENTITY: Provide TCMS the original or a certified copy of one of these documents:

- | | |
|-------------------------------------------------------|----------------------------------------------------------------------------------------|
| <input type="checkbox"/> Driver's License | <input type="checkbox"/> Firearms License |
| <input type="checkbox"/> Provincial Health Care Card | <input type="checkbox"/> Seafarer's Identity Document |
| <input type="checkbox"/> Canadian Passport | <input type="checkbox"/> Canadian Maritime Document |
| <input type="checkbox"/> Permanent Resident Card | <input type="checkbox"/> Federal, Provincial or Municipal employee identification card |
| <input type="checkbox"/> Certificate of Indian Status | <input type="checkbox"/> Old Age Security Card |

2. MED Training certificate: Provide proof (original or a certified copy) that you hold a Transport Canada training certificate in Marine Emergency Duties (MED A1).

3. Radio certificate: Provide proof (original or a certified copy) that you hold a Restricted Operator's Certificate – Maritime Commercial (ROC-MC) or Restricted Operator's Certificate with Maritime Qualification (ROC-M) issued by Industry Canada.

4. Payment: Fees are 27.50 \$. Can be paid at any Transport Canada Marine Safety Exam Center or by money order made to the *Receiver General of Canada*.

5. Attach the following completed documents to your application

[Click here to see documents](#)

[Return to start](#)

[Previous page](#)



Documents to complete to get a Certificate of Service as Watchkeeping Mate of a Fishing Vessel of Less Than 24 Metres in Length Overall

To get a Certificate of Service as Watchkeeping Mate, bring all the documents stated below to a Transport Canada Marine Safety (TCMS) Exam Center or send them to the nearest TCMS Exam Center:

1. Application for a Fishing Vessel Certificate of Service (Form no 82-0704)

Fill out the application, check which certificate you want, and sign the form.

[\(Click here to open the form\)](#)

2. Testimonial of Sea Service (for a Fishing Vessel Certificate of Service) (Form no 82-0705)

The master or vessel owner must complete and sign testimonials.

[\(Click here to open the form\)](#)

3. Statement of Qualifying Service / Fishing Vessel Certificate of Service (Form no 82-0707)

Complete and sign the form using testimonials of sea service obtained from the master or owner. Only fishing seasons carried out before July 1, 2007 can count. Only one season per year will count. List only one season per line. If you have more than seven fishing seasons, make sure you list at least 7 of them on the form.

[\(Click here to open the form\)](#)

[Return to start](#)

[Previous page](#)



I can benefit from an Exemption by declaring my experience as Watchkeeper of a Fishing Vessel

Form (82-0706) Declaration of at least 7 fishing seasons [Click here to see the form](#)

Validity on Fishing Vessels

- ✓ Valid as officer, of a vessel of up to 15 gross tonnage or not more than 12 meters (39 feet 4 inches) in length overall
- ✓ Near coastal voyages, class 2
- ✓ The validity of this declaration may also go up to 50 miles from shore, if the holder has been fishing beyond 25 miles from shore before July 1, 2007

Service

- ✓ At least 7 fishing seasons as watchkeeper of a fishing vessel before July 1, 2007

Medical

- ✓ No medical certificate required

Course

- ✓ No course required *CAUTION: [Click here to see the requirements that apply to vessels](#)

It is important to keep the proof of your sea service onboard along with form (82-0706). If not, form (82-0706) must be sworn before a Commissioner of oaths.

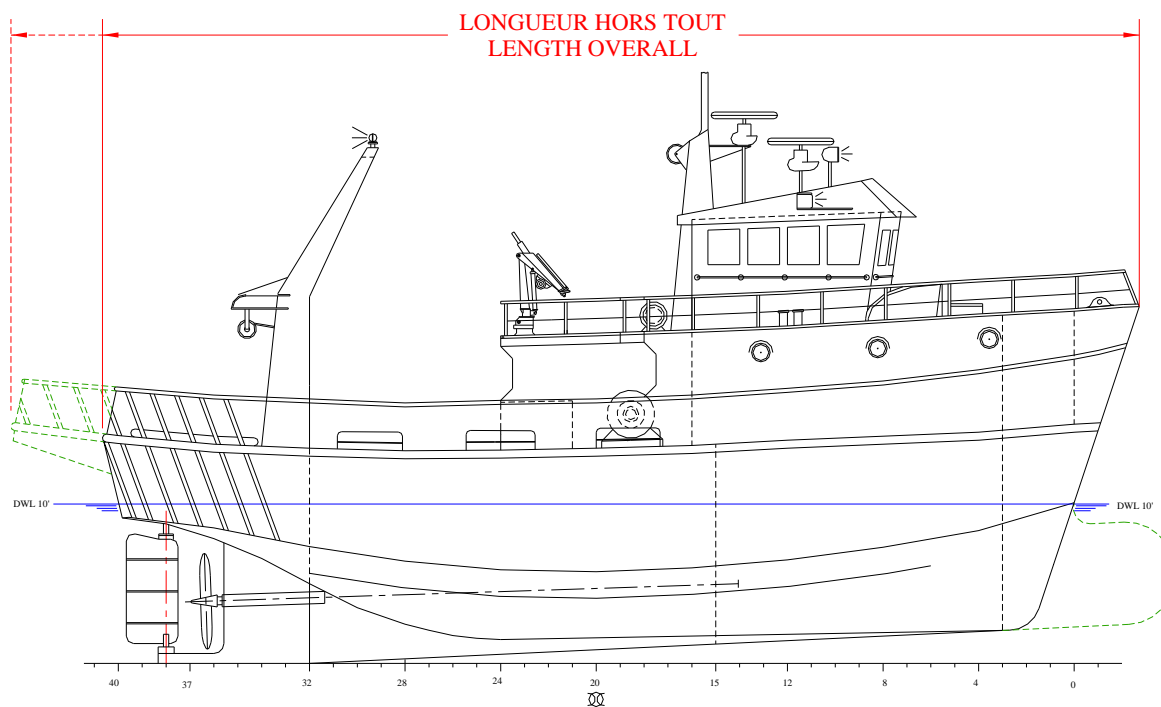
[Return to start](#)

[Previous page](#)



Length Overall

The length overall (LOA) is the distance between the foremost point and the aftermost point of the vessel. Include the aft deck extensions (platforms). Do not include the bulbous bow.

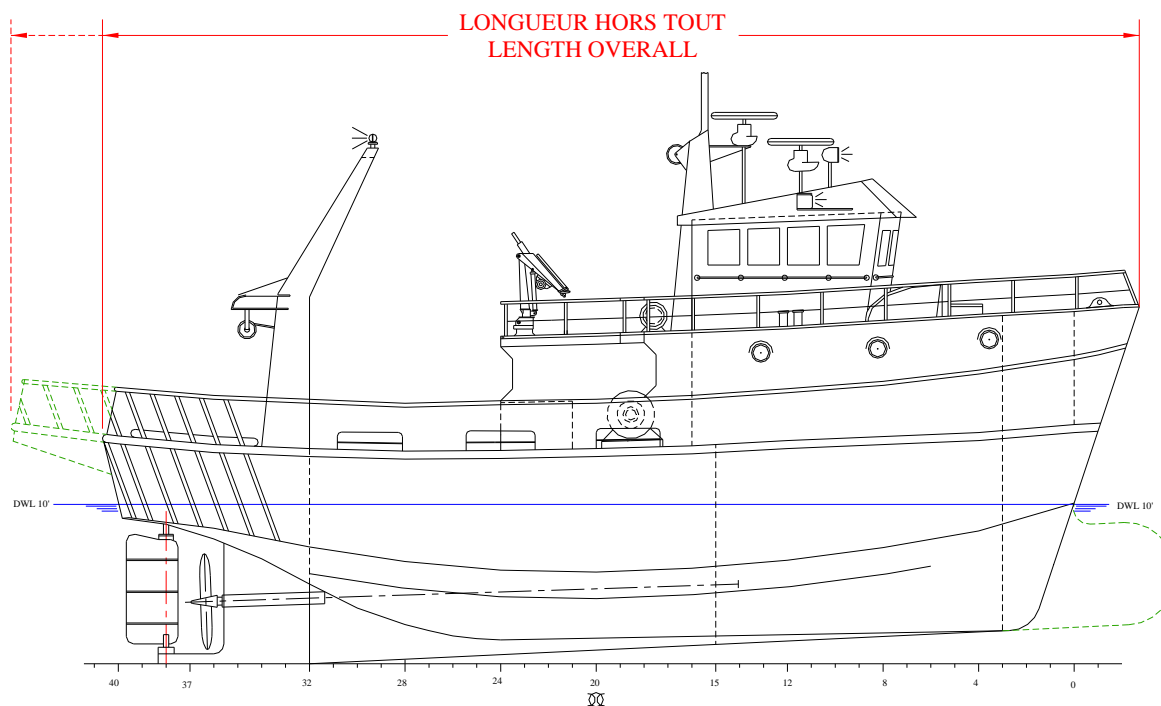


[Return to start](#)
[Previous page](#)



Length Overall

The length overall (LOA) is the distance between the foremost point and the aftermost point of the vessel. Include the aft deck extensions (platforms). Do not include the bulbous bow.



[Return to start](#)
[Previous page](#)



Officer of a Fishing Vessel

On which type of vessel do you carry out the watchkeeping duties? (Click on the button that matches your answer)

**You will need to know the gross tonnage and length overall of your vessel to answer next questions.
([Click here for length overall definition](#))*

I sometimes hold the watch on a fishing vessel of LESS than 15 gross tonnage but of 12 meters OR MORE (39 feet 4 inches) in length overall.

Yes

No

[Return to start](#)

[Previous page](#)



Experience as a Watchkeeping Officer

Specify your experience as a watchkeeping officer of a fishing vessel (click on the button that matches your answer).

I held the watch on a fishing vessel or fishing vessels of at least 15 gross tonnage OR at least 12 meters (39 feet 4 inches) in length overall for at least 12 months before July 1, 2007.

Yes

No

[Return to start](#)

[Previous page](#)



Experience as a Watchkeeping Officer

*Specify your experience (*fishing seasons) as watchkeeping officer of a fishing vessel (click on the button that matches your answer).*

**Fishing season: A fishing season is the total time spent fishing each year. A fishing season can last from a few weeks to many months, depending on the types of fishing done. No two fishing seasons can occur during the same year.*

I served as a watch keeper on a fishing vessel for at least 7 fishing seasons before July 1, 2007.

Yes

No

[Return to start](#)

[Previous page](#)



Operations Areas

Specify at what maximum distance from shore you carry out your fishing operations (click on the button that matches your answer).

My fishing takes me no further than 25 miles from the coast.

Yes

No

[Return to start](#)

[Previous page](#)



Required Certificate: Certificate of Service as Watchkeeping Mate or Being Exempted

Click on the link at the end of the correct statement.

- 1. I can get a Certificate of Service as Watchkeeping Mate of a Fishing Vessel of Less Than 24 Metres in Length Overall [\(Click here\)](#)**

OR

- 2. I can benefit from an Exemption and hold a Declaration of my Experience as Watchkeeper of a Fishing Vessel [\(Click here\)](#)**

[Return to start](#)

[Previous page](#)



Certificate Required: Certificate of Service as Watchkeeping Mate of a Fishing Vessel of Less Than 24 Metres in Length Overall

I need a Certificate of Service as Watchkeeping Mate of a Fishing Vessel of Less Than 24 Metres in Length Overall before the new requirements come into force.

To see the requirements to get a Certificate of Service as Watchkeeping Mate [Click here.](#)

To find out the date it comes into force [Click here.](#)

[Return to start](#)

[Previous page](#)



Certificate of Service as Watchkeeping Mate of a Fishing Vessel of Less Than 24 Metres in Length Overall: Requirements and Information

Validity on Fishing Vessels

- ✓ Valid as officer in charge of the watch on a vessel of not more than 24 metres in length overall
- ✓ Voyages as specified on the certificate in accordance with experience

Service

- ✓ Served 12 months of sea service as watchkeeping person, fishing vessels of at least 15 gross tonnage or at least 12 m (39 feet 4 inches) in length overall before July 1, 2007

Medical

- ✓ No medical certificate required

Marine Emergency Duties (MED)

- ✓ Marine Emergency Duties with respect to basic safety (MED A1)

Restricted Operator's Certificate

- ✓ Restricted Operator's Certificate – Maritime Commercial (ROC-MC)
- ✓ While a Restricted Operator's Certificate (with maritime qualification) (ROC-M) obtained after January 1, 2005 is also accepted, the certificate of service will be valid only for voyages not beyond 25 miles from shore

[Click here to request a Certificate of Service as Watchkeeping Mate](#)

[Return to start](#)
[Previous page](#)



Phase-in Dates

The requirements to hold a certificate, a training certificate or a Declaration of at Least Seven Fishing Seasons for the master and any other person in charge of the watch begin on the date in the table below:

<u>Vessels</u>	<u>Required Beginning</u>
Vessels with LOA of over 15 m (49 ft 02 in)	November 7, 2008
Vessels with LOA of over 14 m (45 ft 11 in)	November 7, 2009
Vessels with LOA of over 13 m (42 ft 08 in)	November 7, 2010
Vessels with LOA of over 12 m (39 ft 04 in)	November 7, 2012
Vessels with LOA of over 6 m (19 ft 08 in)	November 7, 2015
Vessels of all lengths	November 7, 2016

[Return to start](#)

[Previous page](#)



Certificate of Service as Watchkeeping Mate of a Fishing Vessel of Less Than 24 Metres in Length Overall

Printing the instructions sheet will help you fill in your application form. [Click here to open the instructions](#)

To apply for a Certificate of Service, bring all the documents stated below to a Transport Canada Marine Safety (TCMS) Exam Center or send them to the nearest TCMS Exam Center.

1. PROOF OF IDENTITY: Provide TCMS the original or a certified copy of one of these documents:

- | | |
|-------------------------------------------------------|----------------------------------------------------------------------------------------|
| <input type="checkbox"/> Driver's License | <input type="checkbox"/> Firearms License |
| <input type="checkbox"/> Provincial Health Care Card | <input type="checkbox"/> Seafarer's Identity Document |
| <input type="checkbox"/> Canadian Passport | <input type="checkbox"/> Canadian Maritime Document |
| <input type="checkbox"/> Permanent Resident Card | <input type="checkbox"/> Federal, Provincial or Municipal employee identification card |
| <input type="checkbox"/> Certificate of Indian Status | <input type="checkbox"/> Old Age Security Card |

2. MED Training certificate: Provide proof (original or a certified copy) that you hold a Transport Canada training certificate in Marine Emergency Duties (MED A1).

3. Radio certificate: Provide proof (original or a certified copy) that you hold a Restricted Operator's Certificate – Maritime Commercial (ROC-MC) or Restricted Operator's Certificate with Maritime Qualification (ROC-M) issued by Industry Canada.

4. Payment: Fees are 27.50 \$. Can be paid at any Transport Canada Marine Safety Exam Center or by money order made to the *Receiver General of Canada*.

5. Attach the following completed documents to your application

[Click here to see documents](#)

[Return to start](#)

[Previous page](#)



Documents to complete to get a Certificate of Service as Watchkeeping Mate of a Fishing Vessel of Less Than 24 Metres in Length Overall

To get a Certificate of Service as Watchkeeping Mate, bring all the documents stated below to a Transport Canada Marine Safety (TCMS) Exam Center or send them to the nearest TCMS Exam Center:

1. Application for a Fishing Vessel Certificate of Service (Form no 82-0704)

Fill out the application, check which certificate you want, and sign the form.

[\(Click here to open the form\)](#)

2. Testimonial of Sea Service (for a Fishing Vessel Certificate of Service) (Form no 82-0705)

The master or vessel owner must complete and sign testimonials.

[\(Click here to open the form\)](#)

3. Statement of Qualifying Service / Fishing Vessel Certificate of Service (Form no 82-0707)

Complete and sign the form using testimonials of sea service obtained from the master or owner. Only fishing seasons carried out before July 1, 2007 can count. Only one season per year will count. List only one season per line. If you have more than seven fishing seasons, make sure you list at least 7 of them on the form.

[\(Click here to open the form\)](#)

[Return to start](#)

[Previous page](#)



I can benefit from an Exemption by declaring my experience as Watchkeeper of a Fishing Vessel

Form (82-0706) Declaration of at least 7 fishing seasons [Click here to see the form](#)

Validity on Fishing Vessels

- ✓ Valid as officer, of a vessel of up to 15 gross tonnage or not more than 12 meters (39 feet 4 inches) in length overall
- ✓ Near coastal voyages, class 2
- ✓ The validity of this declaration may also go up to 50 miles from shore, if the holder has been fishing beyond 25 miles from shore before July 1, 2007

Service

- ✓ At least 7 fishing seasons as watchkeeper of a fishing vessel before July 1st, 2007

Medical

- ✓ No medical certificate required

Course

- ✓ No course required *CAUTION: [Click here to see the requirements that apply to vessels](#)

It is important to keep the proof of your sea service onboard along with form (82-0706). If not, form (82-0706) must be sworn before a Commissioner of oaths.

[Return to start](#)

[Previous page](#)



Officer of a Fishing Vessel

On which type of vessel do you carry out the watchkeeping duties? (Click on the button that matches your answer).

**You will need to know the gross tonnage and length overall of your vessel to answer next questions.
([Click here for length overall definition](#))*

I sometimes hold the watch on a fishing vessel of LESS than 15 gross tonnage and LESS than 12 meters (39 feet 4 inches) in length overall.

Yes

No

[Return to start](#)

[Previous page](#)



Operations Areas

Specify at what maximum distance from shore you carry out your fishing operations (click on the button that matches your answer).

My fishing takes me no further than 25 miles from the coast.

Yes

No

[Return to start](#)

[Previous page](#)



Experience as a Watchkeeping Officer

*Specify your experience (*fishing seasons) as watchkeeping officer of a fishing vessel (click on the button that matches your answer).*

**Fishing season: A fishing season is the total time spent fishing each year. A fishing season can last from a few weeks to many months, depending on the types of fishing done. No two fishing seasons can occur during the same year.*

I served as a watch keeper on a fishing vessel for at least 7 fishing seasons before July 1, 2007.

Yes

No

[Return to start](#)

[Previous page](#)



I am exempted from having a certificate, but I must have onboard a Declaration of my Experience as a Watchkeeper on a Fishing Vessel

Form (82-0706) Declaration of at least 7 fishing seasons [Click here to see the form](#)

Validity on Fishing Vessels

- ✓ Valid as officer, of a vessel of up to 15 gross tonnage or not more than 12 meters (39 feet 4 inches) in length overall
- ✓ Near coastal voyages, class 2
- ✓ The validity of this declaration may also go up to 50 miles from shore, if the holder has been fishing beyond 25 miles from shore before July 1, 2007

Service

- ✓ At least 7 fishing seasons as watchkeeper of a fishing vessel before July 1, 2007

Medical

- ✓ No medical certificate required

Course

- ✓ No course required *CAUTION: [Click here to see the requirements that apply to vessels](#)


It is important to keep the proof of your sea service onboard along with form (82-0706). If not, form (82-0706) must be sworn before a Commissioner of oaths.

[Return to start](#)

[Previous page](#)

Wrong way

Since no requirement applies to me, I must click on the « **Return to start** » button on the bottom right of this page and then select the « **I am master of a fishing vessel** ».



[Return to start](#)
[Previous page](#)



Certificate Required: Certificate of Service as Watchkeeping Mate of a Fishing Vessel of Less Than 24 Metres in Length Overall

I need a Certificate of Service as Watchkeeping Mate of a Fishing Vessel of Less Than 24 Metres in Length Overall before the new requirements come into force BUT I must also take some extra training courses.

To see the requirements to get a Certificate of Service as Watchkeeping Mate and to find out about the extra training courses that you must complete [Click here.](#)

To find out the date it comes into force [Click here.](#)

[Return to start](#)

[Previous page](#)



Certificate of Service as Watchkeeping Mate of a Fishing Vessel of Less Than 24 Metres in Length Overall: Requirements and Information

Validity on Fishing Vessels

- ✓ Valid as officer in charge of the watch on a vessel of not more than 24 metres in length overall
- ✓ Voyages as specified on the certificate in accordance with experience

Service

- ✓ Served 12 months of sea service as watchkeeping person, fishing vessels of at least 15 gross tonnage or at least 12 m (39 feet 4 inches) in length overall before July 1, 2007

Medical

- ✓ No medical certificate required

Marine Emergency Duties (MED)

- ✓ Marine Emergency Duties with respect to basic safety (MED A1)

Restricted Operator's Certificate

- ✓ Restricted Operator's Certificate – Maritime Commercial (ROC-MC)
- ✓ While a Restricted Operator's Certificate (with maritime qualification) (ROC-M) obtained after January 1, 2005 is also accepted, the certificate of service will be valid only for voyages not beyond 25 miles from shore

[**Click here to find information about the extra training courses**](#)

[**Click here to request a Certificate of Service as Watchkeeping Mate**](#)

[Return to start](#)

[Previous page](#)



Phase-in Dates

The requirements to hold a certificate, a training certificate or a Declaration of at Least Seven Fishing Seasons for the master and any other person in charge of the watch begin on the date in the table below:

<u>Vessels</u>	<u>Required Beginning</u>
Vessels with LOA of over 15 m (49 ft 02 in)	November 7, 2008
Vessels with LOA of over 14 m (45 ft 11 in)	November 7, 2009
Vessels with LOA of over 13 m (42 ft 08 in)	November 7, 2010
Vessels with LOA of over 12 m (39 ft 04 in)	November 7, 2012
Vessels with LOA of over 6 m (19 ft 08 in)	November 7, 2015
Vessels of all lengths	November 7, 2016

[Return to start](#)

[Previous page](#)



Certificate of Service as Watchkeeping Mate of a Fishing Vessel of Less Than 24 Metres in Length Overall

Printing the instructions sheet will help you fill in your application form. [Click here to open the instructions](#)

To apply for a Certificate of Service, bring all the documents stated below to a Transport Canada Marine Safety (TCMS) Exam Center or send them to the nearest TCMS Exam Center.

1. PROOF OF IDENTITY: Provide TCMS the original or a certified copy of one of these documents:

- | | |
|-------------------------------------------------------|----------------------------------------------------------------------------------------|
| <input type="checkbox"/> Driver's License | <input type="checkbox"/> Firearms License |
| <input type="checkbox"/> Provincial Health Care Card | <input type="checkbox"/> Seafarer's Identity Document |
| <input type="checkbox"/> Canadian Passport | <input type="checkbox"/> Canadian Maritime Document |
| <input type="checkbox"/> Permanent Resident Card | <input type="checkbox"/> Federal, Provincial or Municipal employee identification card |
| <input type="checkbox"/> Certificate of Indian Status | <input type="checkbox"/> Old Age Security Card |

2. MED Training certificate: Provide proof (original or a certified copy) that you hold a Transport Canada training certificate in Marine Emergency Duties (MED A1).

3. Radio certificate: Provide proof (original or a certified copy) that you hold a Restricted Operator's Certificate – Maritime Commercial (ROC-MC) or Restricted Operator's Certificate with Maritime Qualification (ROC-M) issued by Industry Canada.

4. Payment: Fees are 27.50 \$. Can be paid at any Transport Canada Marine Safety Exam Center or by money order made to the *Receiver General of Canada*.

5. Attach the following completed documents to your application

[Click here to see documents](#)

[Return to start](#)

[Previous page](#)



Documents to complete to get a Certificate of Service as Watchkeeping Mate of a Fishing Vessel of Less Than 24 Metres in Length Overall

To get a Certificate of Service as Watchkeeping Mate, bring all the documents stated below to a Transport Canada Marine Safety (TCMS) Exam Center or send them to the nearest TCMS Exam Center:

1. Application for a Fishing Vessel Certificate of Service (Form no 82-0704)

Fill out the application, check which certificate you want, and sign the form.

[\(Click here to open the form\)](#)

2. Testimonial of Sea Service (for a Fishing Vessel Certificate of Service) (Form no 82-0705)

The master or vessel owner must complete and sign testimonials.

[\(Click here to open the form\)](#)

3. Statement of Qualifying Service / Fishing Vessel Certificate of Service (Form no 82-0707)

Complete and sign the form using testimonials of sea service obtained from the master or owner. Only fishing seasons carried out before July 1, 2007 can count. Only one season per year will count. List only one season per line. If you have more than seven fishing seasons, make sure you list at least 7 of them on the form.

[\(Click here to open the form\)](#)

[Return to start](#)

[Previous page](#)



Extra Training Courses

SEN

- ✓ Simulated Electronic Navigation, Limited Course (SEN-Limited)

First aid

- ✓ Marine Basic First Aid Course

SVOP

- ✓ Small Vessel Operator Proficiency Training Course



Important: These training courses are not required if you served as officer for at least 7 fishing seasons before July 1, 2007.

[Return to start](#)

[Previous page](#)



Experience as a Watchkeeping Officer

*Specify your experience (*fishing seasons) as watchkeeping officer of a fishing vessel (click on the button that matches your answer).*

**Fishing season: A fishing season is the total time spent fishing each year. A fishing season can last from a few weeks to many months, depending on the types of fishing done. No two fishing seasons can occur during the same year.*

I served as a watch keeper on a fishing vessel for at least 7 fishing seasons before July 1, 2007.

Yes

No

[Return to start](#)

[Previous page](#)



Operations Areas

Specify at what maximum distance from shore you carry out your fishing operations (click on the button that matches your answer).

My fishing takes me no further than 25 miles from the coast.

Yes

No

[Return to start](#)

[Previous page](#)



I am exempted from having a certificate, but I must have onboard a Declaration of my Experience as a Watchkeeper on a Fishing Vessel

Form (82-0706) Declaration of at least 7 fishing seasons [Click here to see the form](#)

Validity on Fishing Vessels

- ✓ Valid as officer, of a vessel of up to 15 gross tonnage or not more than 12 meters (39 feet 4 inches) in length overall
- ✓ Near coastal voyages, class 2
- ✓ The validity of this declaration may also go up to 50 miles from shore, if the holder has been fishing beyond 25 miles from shore before July 1, 2007

Service

- ✓ At least 7 fishing seasons as watchkeeper of a fishing vessel before July 1, 2007

Medical

- ✓ No medical certificate required

Course

- ✓ No course required *CAUTION: [Click here to see the requirements that apply to vessels](#)

It is important to keep the proof of your sea service onboard along with form (82-0706). If not, form (82-0706) must be sworn before a Commissioner of oaths.

[Return to start](#)

[Previous page](#)



Operations Areas

Specify at what maximum distance from shore you are carrying out your fishing operations (click on the button that matches your answer).

My fishing takes me no further than 2 miles from the coast.

Yes

No

[Return to start](#)

[Previous page](#)



Certificate Required: Certificate of Service as Watchkeeping Mate or Pleasure Craft Operator Card

Click on the link at the end of the correct statement.

- 1. I can get a Certificate of Service as Watchkeeping Mate of a Fishing Vessel of Less Than 24 Metres in Length Overall BUT I must also take some extra training courses [\(Click here\)](#)**

OR

- 2. I can hold as a minimum a Pleasure Craft Operator Card [\(Click here\)](#)**

[Return to start](#)

[Previous page](#)



Certificate Required: Certificate of Service as Watchkeeping Mate of a Fishing Vessel of Less Than 24 Metres in Length Overall

I need a Certificate of Service as Watchkeeping Mate of a Fishing Vessel of Less Than 24 Metres in Length Overall before the new requirements come into force BUT I must also take some extra training courses.

To see the requirements to get a Certificate of Service as Watchkeeping Mate and to find out about the extra training courses that you must complete [Click here.](#)

To find out the date it comes into force [Click here.](#)

[Return to start](#)

[Previous page](#)



Certificate of Service as Watchkeeping Mate of a Fishing Vessel of Less Than 24 Metres in Length Overall: Requirements and Information

Validity on Fishing Vessels

- ✓ Valid as officer in charge of the watch on a vessel of not more than 24 metres in length overall
- ✓ Voyages as specified on the certificate in accordance with experience

Service

- ✓ Served 12 months of sea service as watchkeeping person, fishing vessels of at least 15 gross tonnage or at least 12 m (39 feet 4 inches) in length overall before July 1, 2007

Medical

- ✓ No medical certificate required

Marine Emergency Duties (MED)

- ✓ Marine Emergency Duties with respect to basic safety (MED A1)

Restricted Operator's Certificate

- ✓ Restricted Operator's Certificate – Maritime Commercial (ROC-MC)
- ✓ While a Restricted Operator's Certificate (with maritime qualification) (ROC-M) obtained after January 1, 2005 is also accepted, the certificate of service will be valid only for voyages not beyond 25 miles from shore

[Click here to find information about the extra training courses](#)

[Click here to request a Certificate of Service as Watchkeeping Mate](#)

[Return to start](#)

[Previous page](#)



Certificate of Service as Watchkeeping Mate of a Fishing Vessel of Less Than 24 Metres in Length Overall

Printing the instructions sheet will help you fill in your application form. [Click here to open the instructions](#)

To apply for a Certificate of Service, bring all the documents stated below to a Transport Canada Marine Safety (TCMS) Exam Center or send them to the nearest TCMS Exam Center.

1. PROOF OF IDENTITY: Provide TCMS the original or a certified copy of one of these documents:

- | | |
|-------------------------------------------------------|----------------------------------------------------------------------------------------|
| <input type="checkbox"/> Driver's License | <input type="checkbox"/> Firearms License |
| <input type="checkbox"/> Provincial Health Care Card | <input type="checkbox"/> Seafarer's Identity Document |
| <input type="checkbox"/> Canadian Passport | <input type="checkbox"/> Canadian Maritime Document |
| <input type="checkbox"/> Permanent Resident Card | <input type="checkbox"/> Federal, Provincial or Municipal employee identification card |
| <input type="checkbox"/> Certificate of Indian Status | <input type="checkbox"/> Old Age Security Card |

2. MED Training certificate: Provide proof (original or a certified copy) that you hold a Transport Canada training certificate in Marine Emergency Duties (MED A1).

3. Radio certificate: Provide proof (original or a certified copy) that you hold a Restricted Operator's Certificate – Maritime Commercial (ROC-MC) or Restricted Operator's Certificate with Maritime Qualification (ROC-M) issued by Industry Canada.

4. Payment: Fees are 27.50 \$. Can be paid at any Transport Canada Marine Safety Exam Center or by money order made to the *Receiver General of Canada*.

5. Attach the following completed documents to your application

[Click here to see documents](#)

[Return to start](#)

[Previous page](#)



Documents to complete to get a Certificate of Service as Watchkeeping Mate of a Fishing Vessel of Less Than 24 Metres in Length Overall

To get a Certificate of Service as Watchkeeping Mate, bring all the documents stated below to a Transport Canada Marine Safety (TCMS) Exam Center or send them to the nearest TCMS Exam Center:

1. Application for a Fishing Vessel Certificate of Service (Form no 82-0704)

Fill out the application, check which certificate you want, and sign the form.

[\(Click here to open the form\)](#)

2. Testimonial of Sea Service (for a Fishing Vessel Certificate of Service) (Form no 82-0705)

The master or vessel owner must complete and sign testimonials.

[\(Click here to open the form\)](#)

3. Statement of Qualifying Service / Fishing Vessel Certificate of Service (Form no 82-0707)

Complete and sign the form using testimonials of sea service obtained from the master or owner. Only fishing seasons carried out before July 1, 2007 can count. Only one season per year will count. List only one season per line. If you have more than seven fishing seasons, make sure you list at least 7 of them on the form.

[\(Click here to open the form\)](#)

[Return to start](#)

[Previous page](#)



Extra Training Courses

SEN

- ✓ Simulated Electronic Navigation, Limited Course (SEN-Limited)

First aid

- ✓ Marine Basic First Aid Course

SVOP

- ✓ Small Vessel Operator Proficiency Training course



Important: These training courses are not required if you served as officer for at least 7 fishing seasons before July 1, 2007.

[Return to start](#)

[Previous page](#)



Phase-in Dates

The requirements to hold a certificate, a training certificate or a Declaration of at Least Seven Fishing Seasons for the master and any other person in charge of the watch begin on the date in the table below:

<u>Vessels</u>	<u>Required Beginning</u>
Vessels with LOA of over 15 m (49 ft 02 in)	November 7, 2008
Vessels with LOA of over 14 m (45 ft 11 in)	November 7, 2009
Vessels with LOA of over 13 m (42 ft 08 in)	November 7, 2010
Vessels with LOA of over 12 m (39 ft 04 in)	November 7, 2012
Vessels with LOA of over 6 m (19 ft 08 in)	November 7, 2015
Vessels of all lengths	November 7, 2016

[Return to start](#)

[Previous page](#)



I must hold as a minimum, a Pleasure Craft Operator Card

Validity on Fishing Vessels

- ✓ Valid as master of a vessel of up to 15 gross tonnage or not more than 12 meters (39 feet 4 inches) in length overall
- ✓ Sheltered waters voyages
- ✓ Voyages up to 2 miles from shore, near coastal voyage, class 2

Service

- ✓ No service required

Medical

- ✓ No medical certificate required

Course

- ✓ Contact an accredited course provider in order to obtain a card

[Click here for the complete list of accredited course providers](#)



Important: This training course is not required if you served as officer for at least 7 fishing seasons before July 1, 2007.

[Return to start](#)

[Previous page](#)



Certificate Required: Certificate of Service as Watchkeeping Mate of a Fishing Vessel of Less Than 24 Metres in Length Overall

I need a Certificate of Service as Watchkeeping Mate of a Fishing Vessel of Less Than 24 Metres in Length Overall before the new requirements come into force.

To see the requirements to get a Certificate of Service as Watchkeeping Mate [Click here.](#)

To find out the date it comes into force [Click here.](#)

[Return to start](#)

[Previous page](#)



Certificate of Service as Watchkeeping Mate of a Fishing Vessel of Less Than 24 Metres in Length Overall: Requirements and Information

Validity on Fishing Vessels

- ✓ Valid as officer in charge of the watch on a vessel of not more than 24 metres in length overall
- ✓ Voyages as specified on the certificate in accordance with experience

Service

- ✓ Served 12 months of sea service as watchkeeping person, fishing vessels of at least 15 gross tonnage or at least 12 m (39 feet 4 inches) in length overall before July 1, 2007

Medical

- ✓ No medical certificate required

Marine Emergency Duties (MED)

- ✓ Marine Emergency Duties with respect to basic safety (MED A1)

Restricted Operator's Certificate

- ✓ Restricted Operator's Certificate – Maritime Commercial (ROC-MC)
- ✓ While a Restricted Operator's Certificate (with maritime qualification) (ROC-M) obtained after January 1, 2005 is also accepted, the certificate of service will be valid only for voyages not beyond 25 miles from shore

[Click here to request a Certificate of Service as Watchkeeping Mate](#)

[Return to start](#)
[Previous page](#)



Phase-in Dates

The requirements to hold a certificate, a training certificate or a Declaration of at Least Seven Fishing Seasons for the master and any other person in charge of the watch begin on the date in the table below:

<u>Vessels</u>	<u>Required Beginning</u>
Vessels with LOA of over 15 m (49 ft 02 in)	November 7, 2008
Vessels with LOA of over 14 m (45 ft 11 in)	November 7, 2009
Vessels with LOA of over 13 m (42 ft 08 in)	November 7, 2010
Vessels with LOA of over 12 m (39 ft 04 in)	November 7, 2012
Vessels with LOA of over 6 m (19 ft 08 in)	November 7, 2015
Vessels of all lengths	November 7, 2016

[Return to start](#)
[Previous page](#)



Certificate of Service as Watchkeeping Mate of a Fishing Vessel of Less Than 24 Metres in Length Overall

Printing the instructions sheet will help you fill in your application form. [Click here to open the instructions](#)

To apply for a Certificate of Service, bring all the documents stated below to a Transport Canada Marine Safety (TCMS) Exam Center or send them to the nearest TCMS Exam Center.

1. PROOF OF IDENTITY: Provide TCMS the original or a certified copy of one of these documents:

- | | |
|-------------------------------------------------------|----------------------------------------------------------------------------------------|
| <input type="checkbox"/> Driver's License | <input type="checkbox"/> Firearms License |
| <input type="checkbox"/> Provincial Health Care Card | <input type="checkbox"/> Seafarer's Identity Document |
| <input type="checkbox"/> Canadian Passport | <input type="checkbox"/> Canadian Maritime Document |
| <input type="checkbox"/> Permanent Resident Card | <input type="checkbox"/> Federal, Provincial or Municipal employee identification card |
| <input type="checkbox"/> Certificate of Indian Status | <input type="checkbox"/> Old Age Security Card |

2. MED Training certificate: Provide proof (original or a certified copy) that you hold a Transport Canada training certificate in Marine Emergency Duties (MED A1).

3. Radio certificate: Provide proof (original or a certified copy) that you hold a Restricted Operator's Certificate – Maritime Commercial (ROC-MC) or Restricted Operator's Certificate with Maritime Qualification (ROC-M) issued by Industry Canada.

4. Payment: Fees are 27.50 \$. Can be paid at any Transport Canada Marine Safety Exam Center or by money order made to the *Receiver General of Canada*.

5. Attach the following completed documents to your application

[Click here to see documents](#)

[Return to start](#)

[Previous page](#)



Documents to complete to get a Certificate of Service as Watchkeeping Mate of a Fishing Vessel of Less Than 24 Metres in Length Overall

To get a Certificate of Service as Watchkeeping Mate, bring all the documents stated below to a Transport Canada Marine Safety (TCMS) Exam Center or send them to the nearest TCMS Exam Center:

1. Application for a Fishing Vessel Certificate of Service (Form no 82-0704)

Fill out the application, check which certificate you want, and sign the form.

[\(Click here to open the form\)](#)

2. Testimonial of Sea Service (for a Fishing Vessel Certificate of Service) (Form no 82-0705)

The master or vessel owner must complete and sign testimonials.

[\(Click here to open the form\)](#)

3. Statement of Qualifying Service / Fishing Vessel Certificate of Service (Form no 82-0707)

Complete and sign the form using testimonials of sea service obtained from the master or owner. Only fishing seasons carried out before July 1, 2007 can count. Only one season per year will count. List only one season per line. If you have more than seven fishing seasons, make sure you list at least 7 of them on the form.

[\(Click here to open the form\)](#)

[Return to start](#)

[Previous page](#)



Operations Areas

Specify at what maximum distance from shore you carry out your fishing operations (click on the button that matches your answer).

My fishing takes me no further than 25 miles from the coast.

Yes

No

[Return to start](#)

[Previous page](#)



Certificate Required: Certificate of Service as Watchkeeping Mate or Small Vessel Operator Proficiency Training Certificate

Click on the link at the end of the correct statement.

- 1. I can get a Certificate of Service as Watchkeeping Mate of a Fishing Vessel of Less Than 24 Metres in Length Overall BUT I must also take some extra training courses [\(Click here\)](#)**

OR

- 2. I can hold a Small Vessel Operator Proficiency Training Certificate [\(Click here\)](#)**

[Return to start](#)

[Previous page](#)



Certificate Required: Certificate of Service as Watchkeeping Mate of a Fishing Vessel of Less Than 24 Metres in Length Overall

I need a Certificate of Service as Watchkeeping Mate of a Fishing Vessel of Less Than 24 Metres in Length Overall before the new requirements come into force BUT I must also take some extra training courses.

To see the requirements to get a Certificate of Service as Watchkeeping Mate and to find out about the extra training courses that you must complete [Click here.](#)

To find out the date it comes into force [Click here.](#)

[Return to start](#)

[Previous page](#)



Certificate of Service as Watchkeeping Mate of a Fishing Vessel of Less Than 24 Metres in Length Overall: Requirements and Information

Validity on Fishing Vessels

- ✓ Valid as officer in charge of the watch on a vessel of not more than 24 metres in length overall
- ✓ Voyages as specified on the certificate in accordance with experience

Service

- ✓ Served 12 months of sea service as watchkeeping person, fishing vessels of at least 15 gross tonnage or at least 12 m (39 feet 4 inches) in length overall before July 1, 2007

Medical

- ✓ No medical certificate required

Marine Emergency Duties (MED)

- ✓ Marine Emergency Duties with respect to basic safety (MED A1)

Restricted Operator's Certificate

- ✓ Restricted Operator's Certificate – Maritime Commercial (ROC-MC)
- ✓ While a Restricted Operator's Certificate (with maritime qualification) (ROC-M) obtained after January 1, 2005 is also accepted, the certificate of service will be valid only for voyages not beyond 25 miles from shore

[Click here to find information about the extra training courses](#)

[Click here to request a Certificate of Service as Watchkeeping Mate](#)

[Return to start](#)

[Previous page](#)



Certificate of Service as Watchkeeping Mate of a Fishing Vessel of Less Than 24 Metres in Length Overall

Printing the instructions sheet will help you fill in your application form. [Click here to open the instructions](#)

To apply for a Certificate of Service, bring all the documents stated below to a Transport Canada Marine Safety (TCMS) Exam Center or send them to the nearest TCMS Exam Center.

1. PROOF OF IDENTITY: Provide TCMS the original or a certified copy of one of these documents:

- | | |
|-------------------------------------------------------|----------------------------------------------------------------------------------------|
| <input type="checkbox"/> Driver's License | <input type="checkbox"/> Firearms License |
| <input type="checkbox"/> Provincial Health Care Card | <input type="checkbox"/> Seafarer's Identity Document |
| <input type="checkbox"/> Canadian Passport | <input type="checkbox"/> Canadian Maritime Document |
| <input type="checkbox"/> Permanent Resident Card | <input type="checkbox"/> Federal, Provincial or Municipal employee identification card |
| <input type="checkbox"/> Certificate of Indian Status | <input type="checkbox"/> Old Age Security Card |

2. MED Training certificate: Provide proof (original or a certified copy) that you hold a Transport Canada training certificate in Marine Emergency Duties (MED A1).

3. Radio certificate: Provide proof (original or a certified copy) that you hold a Restricted Operator's Certificate – Maritime Commercial (ROC-MC) or Restricted Operator's Certificate with Maritime Qualification (ROC-M) issued by Industry Canada.

4. Payment: Fees are 27.50 \$. Can be paid at any Transport Canada Marine Safety Exam Center or by money order made to the *Receiver General of Canada*.

5. Attach the following completed documents to your application

[Click here to see documents](#)

[Return to start](#)

[Previous page](#)



Documents to complete to get a Certificate of Service as Watchkeeping Mate of a Fishing Vessel of Less Than 24 Metres in Length Overall

To get a Certificate of Service as Watchkeeping Mate, bring all the documents stated below to a Transport Canada Marine Safety (TCMS) Exam Center or send them to the nearest TCMS Exam Center:

1. Application for a Fishing Vessel Certificate of Service (Form no 82-0704)

Fill out the application, check which certificate you want, and sign the form.

[\(Click here to open the form\)](#)

2. Testimonial of Sea Service (for a Fishing Vessel Certificate of Service) (Form no 82-0705)

The master or vessel owner must complete and sign testimonials.

[\(Click here to open the form\)](#)

3. Statement of Qualifying Service / Fishing Vessel Certificate of Service (Form no 82-0707)

Complete and sign the form using testimonials of sea service obtained from the master or owner. Only fishing seasons carried out before July 1, 2007 can count. Only one season per year will count. List only one season per line. If you have more than seven fishing seasons, make sure you list at least 7 of them on the form.

[\(Click here to open the form\)](#)

[Return to start](#)

[Previous page](#)



Extra Training Courses

SEN

- ✓ Simulated Electronic Navigation, Limited Course (SEN-Limited)

First aid

- ✓ Marine Basic First Aid Course

SVOP

- ✓ Small Vessel Operator Proficiency Training Course



Important: These training courses are not required if you served as officer for at least 7 fishing seasons as officer before July 1,2007.

[Return to start](#)

[Previous page](#)



Phase-in Dates

The requirements to hold a certificate, a training certificate or a Declaration of at Least Seven Fishing Seasons for the master and any other person in charge of the watch begin on the date in the table below:

<u>Vessels</u>	<u>Required Beginning</u>
Vessels with LOA of over 15 m (49 ft 02 in)	November 7, 2008
Vessels with LOA of over 14 m (45 ft 11 in)	November 7, 2009
Vessels with LOA of over 13 m (42 ft 08 in)	November 7, 2010
Vessels with LOA of over 12 m (39 ft 04 in)	November 7, 2012
Vessels with LOA of over 6 m (19 ft 08 in)	November 7, 2015
Vessels of all lengths	November 7, 2016

[Return to start](#)

[Previous page](#)



I must hold a Small Vessel Operator Proficiency Training Certificate

Validity on Fishing Vessels

- ✓ Valid as master of a vessel of up to 15 gross tonnage or not more than 12 meters (39 feet 4 inches) in length overall
- ✓ Near coastal voyage, class 2, that is to say, 25 miles from shore
- ✓ The validity of this training certificate may go up to 50 miles from shore, if the holder has been fishing beyond 25 miles from shore before July 1, 2007

Service

- ✓ No service required

Medical

- ✓ No medical certificate required

Course

- ✓ Follow the approved Small Vessel Operator Proficiency Training Course at a recognized institution



Important: This training course is not required if you served as officer for at least 7 fishing seasons before July 1, 2007.

[Return to start](#)

[Previous page](#)



Certificate Required: Certificate of Service as Watchkeeping Mate of a Fishing Vessel of Less Than 24 Metres in Length Overall

I need a Certificate of Service as Watchkeeping Mate of a Fishing Vessel of Less Than 24 Metres in Length Overall before the new requirements come into force BUT I must also take some extra training courses.

To see the requirements to get a Certificate of Service as Watchkeeping Mate and to find out about the extra training courses that you must complete [Click here.](#)

To find out the date it comes into force [Click here.](#)

[Return to start](#)

[Previous page](#)



Certificate of Service as Watchkeeping Mate of a Fishing Vessel of Less Than 24 Metres in Length Overall: Requirements and Information

Validity on Fishing Vessels

- ✓ Valid as officer in charge of the watch on a vessel of not more than 24 metres in length overall
- ✓ Voyages as specified on the certificate in accordance with experience

Service

- ✓ Served 12 months of sea service as watchkeeping person, fishing vessels of at least 15 gross tonnage or at least 12 m (39 feet 4 inches) in length overall before July 1, 2007

Medical

- ✓ No medical certificate required

Marine Emergency Duties (MED)

- ✓ Marine Emergency Duties with respect to basic safety (MED A1)

Restricted Operator's Certificate

- ✓ Restricted Operator's Certificate – Maritime Commercial (ROC-MC)
- ✓ While a Restricted Operator's Certificate (with maritime qualification) (ROC-M) obtained after January 1, 2005 is also accepted, the certificate of service will be valid only for voyages not beyond 25 miles from shore

[Click here to find information about the extra training courses](#)

[Click here to request a Certificate of Service as Watchkeeping Mate](#)

[Return to start](#)

[Previous page](#)



Certificate of Service as Watchkeeping Mate of a Fishing Vessel of Less Than 24 Metres in Length Overall

Printing the instructions sheet will help you fill in your application form. [Click here to open the instructions](#)

To apply for a Certificate of Service, bring all the documents stated below to a Transport Canada Marine Safety (TCMS) Exam Center or send them to the nearest TCMS Exam Center.

1. PROOF OF IDENTITY: Provide TCMS the original or a certified copy of one of these documents:

- | | |
|-------------------------------------------------------|----------------------------------------------------------------------------------------|
| <input type="checkbox"/> Driver's License | <input type="checkbox"/> Firearms License |
| <input type="checkbox"/> Provincial Health Care Card | <input type="checkbox"/> Seafarer's Identity Document |
| <input type="checkbox"/> Canadian Passport | <input type="checkbox"/> Canadian Maritime Document |
| <input type="checkbox"/> Permanent Resident Card | <input type="checkbox"/> Federal, Provincial or Municipal employee identification card |
| <input type="checkbox"/> Certificate of Indian Status | <input type="checkbox"/> Old Age Security Card |

2. MED Training certificate: Provide proof (original or a certified copy) that you hold a Transport Canada training certificate in Marine Emergency Duties (MED A1).

3. Radio certificate: Provide proof (original or a certified copy) that you hold a Restricted Operator's Certificate – Maritime Commercial (ROC-MC) or Restricted Operator's Certificate with Maritime Qualification (ROC-M) issued by Industry Canada.

4. Payment: Fees are 27.50 \$. Can be paid at any Transport Canada Marine Safety Exam Center or by money order made to the *Receiver General of Canada*.

5. Attach the following completed documents to your application

[Click here to see documents](#)

[Return to start](#)

[Previous page](#)



Documents to complete to get a Certificate of Service as Watchkeeping Mate of a Fishing Vessel of Less Than 24 Metres in Length Overall

To get a Certificate of Service as Watchkeeping Mate, bring all the documents stated below to a Transport Canada Marine Safety (TCMS) Exam Center or send them to the nearest TCMS Exam Center:

1. Application for a Fishing Vessel Certificate of Service (Form no 82-0704)

Fill out the application, check which certificate you want, and sign the form.

[\(Click here to open the form\)](#)

2. Testimonial of Sea Service (for a Fishing Vessel Certificate of Service) (Form no 82-0705)

The master or vessel owner must complete and sign testimonials.

[\(Click here to open the form\)](#)

3. Statement of Qualifying Service / Fishing Vessel Certificate of Service (Form no 82-0707)

Complete and sign the form using testimonials of sea service obtained from the master or owner. Only fishing seasons carried out before July 1, 2007 can count. Only one season per year will count. List only one season per line. If you have more than seven fishing seasons, make sure you list at least 7 of them on the form.

[\(Click here to open the form\)](#)

[Return to start](#)

[Previous page](#)



Extra Training Courses

SEN

- ✓ Simulated Electronic Navigation, Limited Course (SEN-Limited)

First aid

- ✓ Marine Basic First Aid Course

SVOP

- ✓ Small Vessel Operator Proficiency Training course



Important: These training courses are not required if you served as officer for at least 7 fishing seasons before July 1, 2007.

[Return to start](#)

[Previous page](#)



Phase-in Dates

The requirements to hold a certificate, a training certificate or a Declaration of at Least Seven Fishing Seasons for the master and any other person in charge of the watch begin on the date in the table below:

<u>Vessels</u>	<u>Required Beginning</u>
Vessels with LOA of over 15 m (49 ft 02 in)	November 7, 2008
Vessels with LOA of over 14 m (45 ft 11 in)	November 7, 2009
Vessels with LOA of over 13 m (42 ft 08 in)	November 7, 2010
Vessels with LOA of over 12 m (39 ft 04 in)	November 7, 2012
Vessels with LOA of over 6 m (19 ft 08 in)	November 7, 2015
Vessels of all lengths	November 7, 2016

[Return to start](#)
[Previous page](#)



Operations Areas

Specify at what maximum distance from shore you carry out your fishing operations (click on the button that matches your answer).

My fishing takes me no further than 2 miles from the coast.

Yes

No

[Return to start](#)

[Previous page](#)



I must hold as a minimum, a Pleasure Craft Operator Card

Validity on Fishing Vessels

- ✓ Valid as master of a vessel of up to 15 gross tonnage or not more than 12 meters (39 feet 4 inches) in length overall
- ✓ Sheltered waters voyages
- ✓ Voyages up to 2 miles from shore, near coastal voyage, class 2

Service

- ✓ No service required

Medical

- ✓ No medical certificate required

Course

- ✓ Contact an accredited course provider in order to obtain a card

[Click here for the complete list of accredited course providers](#)



Important: This training course is not required if you served as officer for at least 7 fishing seasons before July 1, 2007.

[Return to start](#)

[Previous page](#)



Operations Areas

Specify at what maximum distance from shore you carry out your fishing operations (click on the button that matches your answer).

My fishing takes me no further than 25 miles from the coast.

Yes

No

[Return to start](#)

[Previous page](#)



I must hold a Small Vessel Operator Proficiency Training Certificate

Validity on Fishing Vessels

- ✓ Valid as master of a vessel of up to 15 gross tonnage or not more than 12 meters (39 feet 4 inches) in length overall
- ✓ Near coastal voyage, class 2, that is to say, 25 miles from shore
- ✓ The validity of this training certificate may go up to 50 miles from shore, if the holder has been fishing beyond 25 miles from shore before July 1, 2007

Service

- ✓ No service required

Medical

- ✓ No medical certificate required

Course

- ✓ Follow the approved Small Vessel Operator Proficiency Training Course at a recognized institution



Important: This training course is not required if you served as officer for at least 7 fishing seasons before July 1, 2007.

[Return to start](#)

[Previous page](#)



Certificate of Watchkeeping Officer of a Fishing vessel of Less Than 24 m in Length Overall: Requirements and Information

Validity

- ✓ Valid as officer in charge of the watch on a fishing vessel of less than 24 meters (78 feet 9 inches) in length overall, near coastal voyage, class 1 in Canada, United States and St-Pierre and Miquelon
[\(Click here to see the definitions of voyages\)](#)
- ✓ Valid as master of a fishing vessel of up to 15 gross tonnage or not more than 12 meters (39 feet 4 inches) in length overall, near coastal voyage, class 2 or sheltered waters

Service

- ✓ 6 months of sea service, deck duties, fishing vessel of at least 6 m (19 feet 8 inches)

Medical

- ✓ Hold a valid Marine Medical Certificate or a Provisional Marine Medical Certificate

Marine Emergency Duties (MED)

- ✓ Marine Emergency Duties with respect to basic safety (MED A1)

Restricted Operator's Certificate

- ✓ Restricted Operator Certificate-Maritime commercial (ROC-MC)

SEN

- ✓ Simulated Electronic Navigation, Limited Course (SEN-Limited)

First Aid

- ✓ Marine Basic First Aid Training

Exams

- ✓ Pass the exams [Click here to see the exams](#)

[Return to start](#)

[Previous page](#)



Exams to Obtain a Certificate of Watchkeeping Officer of a Fishing Vessel of Less Than 24 Meters in Length Overall

To get this certificate, you must pass these Transport Canada exams:

- 1. Chartwork and Navigation Safety**
- 2. Oral Examination on General Seamanship and Stability**

**For more information, please contact an examiner
from a Transport Canada Marine Safety
Examination Center.**

[Return to start](#)

[Previous page](#)



Certificate of Watchkeeping Officer of a Fishing vessel of Less Than 24 m in Length Overall: Requirements and Information

Validity

- ✓ Valid as officer in charge of the watch on a fishing vessel of less than 24 meters (78 feet 9 inches) in length overall, near coastal voyage, class 1 in Canada, United States and St-Pierre and Miquelon
[\(Click here to see the definitions of voyages\)](#)
- ✓ Valid as master of a fishing vessel of up to 15 gross tonnage or not more than 12 meters (39 feet 4 inches) in length overall, near coastal voyage, class 2 or sheltered waters

Service

- ✓ 6 months of sea service, deck duties, fishing vessel of at least 6 m (19 feet 8 inches)

Medical

- ✓ Hold a valid Marine Medical Certificate or a Provisional Marine Medical Certificate

Marine Emergency Duties (MED)

- ✓ Marine Emergency Duties with respect to basic safety (MED A1)

Restricted Operator's Certificate

- ✓ Restricted Operator Certificate-Maritime commercial (ROC-MC)

SEN

- ✓ Simulated Electronic Navigation, Limited Course (SEN-Limited)

First Aid

- ✓ Marine Basic First Aid Training

Exams

- ✓ Pass the exams [Click here to see the exams](#)

[Return to start](#)

[Previous page](#)



Exams for getting a Certificate of Watchkeeping Officer of a Fishing Vessel of Less Than 24 Meters in Length Overall

To get this certificate, you must pass these Transport Canada exams:

- 1. Chartwork and Navigation Safety**
- 2. Oral Examination on General Seamanship and Stability**

For more information, please contact an examiner from a Transport Canada Marine Safety Examination Center.

[Return to start](#)

[Previous page](#)



Certificate of Watchkeeping Officer of a Fishing vessel of Less Than 24 m in Length Overall: Requirements and Information

Validity

- ✓ Valid as officer in charge of the watch on a fishing vessel of less than 24 meters (78 feet 9 inches) in length overall, near coastal voyage, class 1 in Canada, United States and St-Pierre and Miquelon
[\(Click here to see the definitions of voyages\)](#)
- ✓ Valid as master of a fishing vessel of up to 15 gross tonnage or not more than 12 meters (39 feet 4 inches) in length overall, near coastal voyage, class 2 or sheltered waters

Service

- ✓ 6 months of sea service, deck duties, fishing vessel of at least 6 m (19 feet 8 inches)

Medical

- ✓ Hold a valid Marine Medical Certificate or a Provisional Marine Medical Certificate

Marine Emergency Duties (MED)

- ✓ Marine Emergency Duties with respect to basic safety (MED A1)

Restricted Operator's Certificate

- ✓ Restricted Operator Certificate-Maritime commercial (ROC-MC)

SEN

- ✓ Simulated Electronic Navigation, Limited Course (SEN-Limited)

First Aid

- ✓ Marine Basic First Aid Training

Exams

- ✓ Pass the exams [Click here to see the exams](#)

[Return to start](#)

[Previous page](#)



Exams for getting a Certificate of Watchkeeping Officer of a Fishing Vessel of Less Than 24 Meters in Length Overall

To get this certificate, you must pass these Transport Canada exams:

- 1. Chartwork and Navigation Safety**
- 2. Oral Examination on General Seamanship and Stability**

For more information, please contact an examiner from a Transport Canada Marine Safety Examination Center.

[Return to start](#)

[Previous page](#)



Operations Areas

Specify at what maximum distance from shore you carry out your fishing operations (click on the button that matches your answer).

My fishing takes me no further than 2 miles from the coast.

Yes

No

[Return to start](#)

[Previous page](#)



I must hold as a Minimum, a Pleasure Craft Operator Card

Validity on Fishing Vessels

- ✓ Valid as master of a vessel of up to 15 gross tonnage or not more than 12 meters (39 feet 4 inches) in length overall
- ✓ Sheltered waters voyages
- ✓ Voyages up to 2 miles from shore, near coastal voyage, class 2

Service

- ✓ No service required

Medical

- ✓ No medical certificate required

Course

- ✓ Contact an accredited course provider in order to obtain a card

[Click here for the complete list of accredited course providers](#)



Important: This training course is not required if you served as officer for at least 7 fishing seasons before July 1, 2007.

[Return to start](#)

[Previous page](#)



I must hold a Small Vessel Operator Proficiency Training Certificate

Validity on Fishing Vessels

- ✓ Valid as master of a vessel of up to 15 gross tonnage or not more than 12 meters (39 feet 4 inches) in length overall
- ✓ Near coastal voyage, class 2, that is to say, 25 miles from shore
- ✓ The validity of this training certificate may go up to 50 miles from shore, if the holder has been fishing beyond 25 miles from shore before July 1, 2007

Service

- ✓ No service required

Medical

- ✓ No medical certificate required

Course

- ✓ Follow the approved Small Vessel Operator Proficiency Training Course at a recognized institution



Important: This training course is not required if you served as officer for at least 7 fishing seasons before July 1, 2007.

[Return to start](#)

[Previous page](#)



Voyage Definitions

Summary of some voyage limits that are of interest for fishermen

« **Near coastal voyage, class 1** »: within 200 miles from shore or above the continental shelf between places in Canada, the United States (except Hawaiï), Saint Pierre and Miquelon, the West Indies, Mexico and north of latitude 6°N in Central America or South America.

« **Near coastal voyage, class 2** »: within 25 miles from shore in waters contiguous to Canada, the United States (except Hawaiï) or Saint Pierre and Miquelon, within 100 miles from a place of refuge.

« **Sheltered waters voyage** »: Voyage that is in Canada on a lake, or a river above tidal waters, never further than one mile from shore or that is on the waters listed in Schedule 1 of the *Vessel certificates regulations* during the periods indicated.

*Note: You can find full definitions of all types of voyage in the **Vessel Certificates Regulations** and in the **Marine Personnel Regulations**.*

[Return to start](#)

[Previous page](#)



Voyage Definitions

Summary of some voyage limits that are of interest for fishermen

« **Near coastal voyage, class 1** »: within 200 miles from shore or above the continental shelf between places in Canada, the United States (except Hawaiï), Saint Pierre and Miquelon, the West Indies, Mexico and north of latitude 6°N in Central America or South America.

« **Near coastal voyage, class 2** »: within 25 miles from shore in waters contiguous to Canada, the United States (except Hawaiï) or Saint Pierre and Miquelon, within 100 miles from a place of refuge.

« **Sheltered waters voyage** »: Voyage that is in Canada on a lake, or a river above tidal waters, never further than one mile from shore or that is on the waters listed in Schedule 1 of the *Vessel certificates regulations* during the periods indicated.

*Note: You can find full definitions of all types of voyage in the **Vessel Certificates Regulations** and in the **Marine Personnel Regulations**.*

[Return to start](#)

[Previous page](#)



Voyage Definitions

Summary of some voyage limits that are of interest for fishermen

« **Near coastal voyage, class 1** »: within 200 miles from shore or above the continental shelf between places in Canada, the United States (except Hawaiï), Saint Pierre and Miquelon, the West Indies, Mexico and north of latitude 6°N in Central America or South America.

« **Near coastal voyage, class 2** »: within 25 miles from shore in waters contiguous to Canada, the United States (except Hawaiï) or Saint Pierre and Miquelon, within 100 miles from a place of refuge.

« **Sheltered waters voyage** »: Voyage that is in Canada on a lake, or a river above tidal waters, never further than one mile from shore or that is on the waters listed in Schedule 1 of the *Vessel certificates regulations* during the periods indicated.

*Note: You can find full definitions of all types of voyage in the **Vessel Certificates Regulations** and in the **Marine Personnel Regulations**.*

[Return to start](#)

[Previous page](#)



Voyage Definitions

Summary of some voyage limits that are of interest for fishermen

« **Near coastal voyage, class 1** »: within 200 miles from shore or above the continental shelf between places in Canada, the United States (except Hawaiï), Saint Pierre and Miquelon, the West Indies, Mexico and north of latitude 6°N in Central America or South America.

« **Near coastal voyage, class 2** »: within 25 miles from shore in waters contiguous to Canada, the United States (except Hawaiï) or Saint Pierre and Miquelon, within 100 miles from a place of refuge.

« **Sheltered waters voyage** »: Voyage that is in Canada on a lake, or a river above tidal waters, never further than one mile from shore or that is on the waters listed in Schedule 1 of the *Vessel certificates regulations* during the periods indicated.

*Note: You can find full definitions of all types of voyage in the **Vessel Certificates Regulations** and in the **Marine Personnel Regulations**.*

[Return to start](#)

[Previous page](#)



Required Certificate: Certificate of Service as Master

I need a Certificate of Service as Master before the date of coming into force of the new requirements.

To see the requirements to get a Certificate of Service as Master [Click here.](#)

To find out the date of entry into force [Click here.](#)

[Return to start](#)

[Previous page](#)



Certificate of Service as Master of a Fishing Vessel of Less Than 60 Gross Tonnage: Requirements and Information

Validity

- ✓ Valid as Master, Fishing Vessel of Less Than 60 Gross Tonnage
- ✓ Voyages as specified on the certificate in accordance with experience

Service

- ✓ Served at least 12 months of sea service as master, fishing vessel of at least 15 gross tonnage or at least 12 m (39 feet 4 inches) in length overall before July 1, 2007

Medical

- ✓ No medical certificate required

Marine Emergency Duties (MED)

- ✓ Marine Emergency Duties with respect to basic safety (MED A1)

Restricted Operator's Certificate

- ✓ Restricted Operator's Certificate – Maritime Commercial (ROC-MC)
- ✓ While a Restricted Operator's Certificate (with maritime qualification) (ROC-M) obtained after January 1, 2005 is also accepted, the certificate of service will be valid only for voyages not beyond 25 miles from shore

[Click here to request a Certificate of Service as Master](#)

[Return to start](#)
[Previous page](#)



Certificate of Service as Master, Fishing Vessel of Less Than 60 Gross Tonnage

Printing the instructions sheet will help you fill in your application form. [Click here to open the instructions](#)

To apply for a Certificate of Service, bring all the documents stated below to a Transport Canada Marine Safety (TCMS) Exam Center or send them to the nearest TCMS Exam Center.

1. PROOF OF IDENTITY: Provide TCMS the original or a certified copy of one of these documents:

- | | |
|-------------------------------------------------------|----------------------------------------------------------------------------------------|
| <input type="checkbox"/> Driver's License | <input type="checkbox"/> Firearms License |
| <input type="checkbox"/> Provincial Health Care Card | <input type="checkbox"/> Seafarer's Identity Document |
| <input type="checkbox"/> Canadian Passport | <input type="checkbox"/> Canadian Maritime Document |
| <input type="checkbox"/> Permanent Resident Card | <input type="checkbox"/> Federal, Provincial or Municipal employee identification card |
| <input type="checkbox"/> Certificate of Indian Status | <input type="checkbox"/> Old Age Security Card |

2. MED Training certificate: Provide proof (original or a certified copy) that you hold a Transport Canada training certificate in Marine Emergency Duties (MED A1).

3. Radio certificate: Provide proof (original or a certified copy) that you hold a Restricted Operator's Certificate – Maritime Commercial (ROC-MC) or Restricted Operator's Certificate with Maritime Qualification (ROC-M) issued by [Industry Canada](#).

4. Payment: Fees are 27.50 \$. Can be paid at any Transport Canada Marine Safety Exam Center or by money order made to the *Receiver General of Canada*.

5. Attach the following completed documents to your application

[Click here to see documents](#)

[Return to start](#)

[Previous page](#)



Phase-in Dates

The requirements to hold a certificate, a training certificate or a Declaration of at Least Seven Fishing Seasons for the master and any other person in charge of the watch begin on the date in the table below:

<u>Vessels</u>	<u>Required Beginning</u>
Vessels with LOA of over 15 m (49 ft 02 in)	November 7, 2008
Vessels with LOA of over 14 m (45 ft 11 in)	November 7, 2009
Vessels with LOA of over 13 m (42 ft 08 in)	November 7, 2010
Vessels with LOA of over 12 m (39 ft 04 in)	November 7, 2012
Vessels with LOA of over 6 m (19 ft 08 in)	November 7, 2015
Vessels of all lengths	November 7, 2016

[Return to start](#)

[Previous page](#)



Documents to complete to get a Certificate of Service as Master of a Fishing Vessel of Less Than 60 Gross Tonnage

To get a Certificate of Service as Master, bring all the documents stated below to a Transport Canada Marine Safety (TCMS) Exam Center or send them to the nearest TCMS Exam Center:

1. Application for a Fishing Vessel Certificate of Service (Form no 82-0704)

Fill out the application, check which certificate you want, and sign the form.

[\(Click here to open the form\)](#)

2. Testimonial of Sea Service (for a Fishing Vessel Certificate of Service) (Form no 82-0705)

The vessel owner must complete and sign testimonials. If you are the owner, you may complete the form yourself. In this case, you must have the form sworn before a Commissioner of oaths using the proper space on the form.

[\(Click here to open the form\)](#)

3. Statement of Qualifying Service / Fishing Vessel Certificate of Service (Form no 82-0707)

Complete and sign the form using testimonials of sea service obtained from the master or owner. Only fishing seasons carried out before July 1, 2007 can count. Only one season per year will count. List only one season per line. If you have more than seven fishing seasons, make sure you list at least 7 of them on the form.

[\(Click here to open the form\)](#)

[Return to start](#)

[Previous page](#)



Required Certificate: Fishing Master, Fourth Class

I need a Certificate of Fishing Master, Fourth Class before the date of coming into force of the new requirements.

To see the requirements to get a Fishing Master, Fourth Class Certificate [Click here.](#)

To find out the date of entry into force [Click here.](#)

[Return to start](#)

[Previous page](#)



Phase-in Dates

The requirements to hold a certificate, a training certificate or a Declaration of at Least Seven Fishing Seasons for the master and any other person in charge of the watch begin on the date in the table below:

<u>Vessels</u>	<u>Required Beginning</u>
Vessels with LOA of over 15 m (49 ft 02 in)	November 7, 2008
Vessels with LOA of over 14 m (45 ft 11 in)	November 7, 2009
Vessels with LOA of over 13 m (42 ft 08 in)	November 7, 2010
Vessels with LOA of over 12 m (39 ft 04 in)	November 7, 2012
Vessels with LOA of over 6 m (19 ft 08 in)	November 7, 2015
Vessels of all lengths	November 7, 2016

[Return to start](#)

[Previous page](#)



Phase-in Dates

The requirements to hold a certificate, a training certificate or a Declaration of at Least Seven Fishing Seasons for the master and any other person in charge of the watch begin on the date in the table below:

<u>Vessels</u>	<u>Required Beginning</u>
Vessels with LOA of over 15 m (49 ft 02 in)	November 7, 2008
Vessels with LOA of over 14 m (45 ft 11 in)	November 7, 2009
Vessels with LOA of over 13 m (42 ft 08 in)	November 7, 2010
Vessels with LOA of over 12 m (39 ft 04 in)	November 7, 2012
Vessels with LOA of over 6 m (19 ft 08 in)	November 7, 2015
Vessels of all lengths	November 7, 2016

[Return to start](#)

[Previous page](#)



Required Certificate: Fishing Master, Fourth Class

I need a Certificate of Fishing Master, Fourth Class before the date of coming into force of the new requirements.

To see the requirements to get a Fishing Master, Fourth Class Certificate [Click here.](#)

To find out the date of entry into force [Click here.](#)

[Return to start](#)

[Previous page](#)



Phase-in Dates

The requirements to hold a certificate, a training certificate or a Declaration of at Least Seven Fishing Seasons for the master and any other person in charge of the watch begin on the date in the table below:

<u>Vessels</u>	<u>Required Beginning</u>
Vessels with LOA of over 15 m (49 ft 02 in)	November 7, 2008
Vessels with LOA of over 14 m (45 ft 11 in)	November 7, 2009
Vessels with LOA of over 13 m (42 ft 08 in)	November 7, 2010
Vessels with LOA of over 12 m (39 ft 04 in)	November 7, 2012
Vessels with LOA of over 6 m (19 ft 08 in)	November 7, 2015
Vessels of all lengths	November 7, 2016

[Return to start](#)

[Previous page](#)



Required Certificate: Fishing Master, Fourth Class

I need a Certificate of Fishing Master, Fourth Class before the date of coming into force of the new requirements.

To see the requirements to get a Fishing Master, Fourth Class Certificate [Click here.](#)

To find out the date of entry into force [Click here.](#)

[Return to start](#)

[Previous page](#)



Phase-in Dates

The requirements to hold a certificate, a training certificate or a Declaration of at Least Seven Fishing Seasons for the master and any other person in charge of the watch begin on the date in the table below:

<u>Vessels</u>	<u>Required Beginning</u>
Vessels with LOA of over 15 m (49 ft 02 in)	November 7, 2008
Vessels with LOA of over 14 m (45 ft 11 in)	November 7, 2009
Vessels with LOA of over 13 m (42 ft 08 in)	November 7, 2010
Vessels with LOA of over 12 m (39 ft 04 in)	November 7, 2012
Vessels with LOA of over 6 m (19 ft 08 in)	November 7, 2015
Vessels of all lengths	November 7, 2016

[Return to start](#)

[Previous page](#)



Certificate Required: Certificate of Service as Watchkeeping Mate of a Fishing Vessel of Less Than 24 Metres in Length Overall

I need a Certificate of Service as Watchkeeping Mate of a Fishing Vessel of Less Than 24 Metres in Length Overall before the date of coming into force of the new requirements.

To see the requirements to get a Certificate of Service as Watchkeeping Mate [Click here.](#)

To find out the date of entry into force [Click here.](#)

[Return to start](#)

[Previous page](#)



Certificate of Service as Watchkeeping Mate of a Fishing Vessel of Less Than 24 Metres in Length overall: Requirements and Information

Validity on Fishing Vessels

- ✓ Valid as officer in charge of the watch on a vessel of not more than 24 metres in length overall
- ✓ Voyages as specified on the certificate in accordance with experience

Service

- ✓ Served 12 months of sea service as watchkeeping person, fishing vessels of at least 15 gross tonnage or at least 12 m (39 feet 4 inches) in length overall before July 1, 2007

Medical

- ✓ No medical certificate required

Marine Emergency Duties (MED)

- ✓ Marine Emergency Duties with respect to basic safety (MED A1)

Restricted Operator's Certificate

- ✓ Restricted Operator's Certificate – Maritime Commercial (ROC-MC)
- ✓ While a Restricted Operator's Certificate (with maritime qualification) (ROC-M) obtained after January 1, 2005 is also accepted, the certificate of service will be valid only for voyages not beyond 25 miles from shore

[Click here to request a Certificate of Service as Watchkeeping Mate](#)

[Return to start](#)
[Previous page](#)



Certificate of Service as Watchkeeping Mate of a Fishing Vessel of Less Than 24 Metres in Length Overall

Printing the instructions sheet will help you fill in your application form. [Click here to open the instructions](#)

To apply for a Certificate of Service, bring all the documents stated below to a Transport Canada Marine Safety (TCMS) Exam Center or send them to the nearest TCMS Exam Center.

1. PROOF OF IDENTITY: Provide TCMS the original or a certified copy of one of these documents:

- | | |
|-------------------------------------------------------|----------------------------------------------------------------------------------------|
| <input type="checkbox"/> Driver's License | <input type="checkbox"/> Firearms License |
| <input type="checkbox"/> Provincial Health Care Card | <input type="checkbox"/> Seafarer's Identity Document |
| <input type="checkbox"/> Canadian Passport | <input type="checkbox"/> Canadian Maritime Document |
| <input type="checkbox"/> Permanent Resident Card | <input type="checkbox"/> Federal, Provincial or Municipal employee identification card |
| <input type="checkbox"/> Certificate of Indian Status | <input type="checkbox"/> Old Age Security Card |

2. MED Training certificate: Provide proof (original or a certified copy) that you hold a Transport Canada training certificate in Marine Emergency Duties (MED A1).

3. Radio certificate: Provide proof (original or a certified copy) that you hold a Restricted Operator's Certificate – Maritime Commercial (ROC-MC) or Restricted Operator's Certificate with Maritime Qualification (ROC-M) issued by Industry Canada.

4. Payment: Fees are 27.50 \$. Can be paid at any Transport Canada Marine Safety Exam Center or by money order made to the *Receiver General of Canada*.

5. Attach the following completed documents to your application

[Click here to see documents](#)

[Return to start](#)

[Previous page](#)



Phase-in Dates

The requirements to hold a certificate, a training certificate or a Declaration of at Least Seven Fishing Seasons for the master and any other person in charge of the watch begin on the date in the table below:

<u>Vessels</u>	<u>Required Beginning</u>
Vessels with LOA of over 15 m (49 ft 02 in)	November 7, 2008
Vessels with LOA of over 14 m (45 ft 11 in)	November 7, 2009
Vessels with LOA of over 13 m (42 ft 08 in)	November 7, 2010
Vessels with LOA of over 12 m (39 ft 04 in)	November 7, 2012
Vessels with LOA of over 6 m (19 ft 08 in)	November 7, 2015
Vessels of all lengths	November 7, 2016

[Return to start](#)

[Previous page](#)



Documents to complete to get a Certificate of Service as Watchkeeping Mate of a Fishing Vessel of Less Than 24 Metres in Length Overall

To get a Certificate of Service as Watchkeeping Mate, bring all the documents stated below to a Transport Canada Marine Safety (TCMS) Exam Center or send them to the nearest TCMS Exam Center:

1. Application for a Fishing Vessel Certificate of Service (Form no 82-0704)

Fill out the application, check which certificate you want, and sign the form.

[\(Click here to open the form\)](#)

2. Testimonial of Sea Service (for a Fishing Vessel Certificate of Service) (Form no 82-0705)

The master or vessel owner must complete and sign testimonials.

[\(Click here to open the form\)](#)

3. Statement of Qualifying Service / Fishing Vessel Certificate of Service (Form no 82-0707)

Complete and sign the form using testimonials of sea service obtained from the master or owner. Only fishing seasons carried out before July 1, 2007 can count. Only one season per year will count. List only one season per line. If you have more than seven fishing seasons, make sure you list at least 7 of them on the form.

[\(Click here to open the form\)](#)

[Return to start](#)

[Previous page](#)



Certificate Required: Watchkeeping Officer of a Fishing Vessel of Less Than 24 metres in Length Overall

I need a Certificate of Watchkeeping Officer before the date of coming into force of the new requirements.

To see the requirements to get a Watchkeeping Officer of a Fishing Vessel of Less Than 24 metres in Length Overall [Click here.](#)

To find out the date of entry into force [Click here.](#)

[Return to start](#)

[Previous page](#)



Certificate Required: Watchkeeping Officer of a Fishing Vessel of Less Than 24 metres in Length Overall

I need a Certificate of Watchkeeping Officer before the date of coming into force of the new requirements.

To see the requirements to get a Watchkeeping Officer of a Fishing Vessel of Less Than 24 metres in Length Overall [Click here.](#)

To find out the date of entry into force [Click here.](#)

[Return to start](#)

[Previous page](#)



Certificate Required: Watchkeeping Officer of a Fishing Vessel of Less Than 24 metres in Length Overall

I need a Certificate of Watchkeeping Officer before the date of coming into force of the new requirements.

To see the requirements to get a Watchkeeping Officer of a Fishing Vessel of Less Than 24 metres in Length Overall [Click here.](#)

To find out the date of entry into force [Click here.](#)

[Return to start](#)

[Previous page](#)



Phase-in Dates

The requirements to hold a certificate, a training certificate or a Declaration of at Least Seven Fishing Seasons for the master and any other person in charge of the watch begin on the date in the table below:

<u>Vessels</u>	<u>Required Beginning</u>
Vessels with LOA of over 15 m (49 ft 02 in)	November 7, 2008
Vessels with LOA of over 14 m (45 ft 11 in)	November 7, 2009
Vessels with LOA of over 13 m (42 ft 08 in)	November 7, 2010
Vessels with LOA of over 12 m (39 ft 04 in)	November 7, 2012
Vessels with LOA of over 6 m (19 ft 08 in)	November 7, 2015
Vessels of all lengths	November 7, 2016

[Return to start](#)

[Previous page](#)



Phase-in Dates

The requirements to hold a certificate, a training certificate or a Declaration of at Least Seven Fishing Seasons for the master and any other person in charge of the watch begin on the date in the table below:

<u>Vessels</u>	<u>Required Beginning</u>
Vessels with LOA of over 15 m (49 ft 02 in)	November 7, 2008
Vessels with LOA of over 14 m (45 ft 11 in)	November 7, 2009
Vessels with LOA of over 13 m (42 ft 08 in)	November 7, 2010
Vessels with LOA of over 12 m (39 ft 04 in)	November 7, 2012
Vessels with LOA of over 6 m (19 ft 08 in)	November 7, 2015
Vessels of all lengths	November 7, 2016

[Return to start](#)

[Previous page](#)



Phase-in Dates

The requirements to hold a certificate, a training certificate or a Declaration of at Least Seven Fishing Seasons for the master and any other person in charge of the watch begin on the date in the table below:

<u>Vessels</u>	<u>Required Beginning</u>
Vessels with LOA of over 15 m (49 ft 02 in)	November 7, 2008
Vessels with LOA of over 14 m (45 ft 11 in)	November 7, 2009
Vessels with LOA of over 13 m (42 ft 08 in)	November 7, 2010
Vessels with LOA of over 12 m (39 ft 04 in)	November 7, 2012
Vessels with LOA of over 6 m (19 ft 08 in)	November 7, 2015
Vessels of all lengths	November 7, 2016

[Return to start](#)

[Previous page](#)



Phase-in Dates

The requirements to hold a certificate, a training certificate or a Declaration of at Least Seven Fishing Seasons for the master and any other person in charge of the watch begin on the date in the table below:

<u>Vessels</u>	<u>Required Beginning</u>
Vessels with LOA of over 15 m (49 ft 02 in)	November 7, 2008
Vessels with LOA of over 14 m (45 ft 11 in)	November 7, 2009
Vessels with LOA of over 13 m (42 ft 08 in)	November 7, 2010
Vessels with LOA of over 12 m (39 ft 04 in)	November 7, 2012
Vessels with LOA of over 6 m (19 ft 08 in)	November 7, 2015
Vessels of all lengths	November 7, 2016

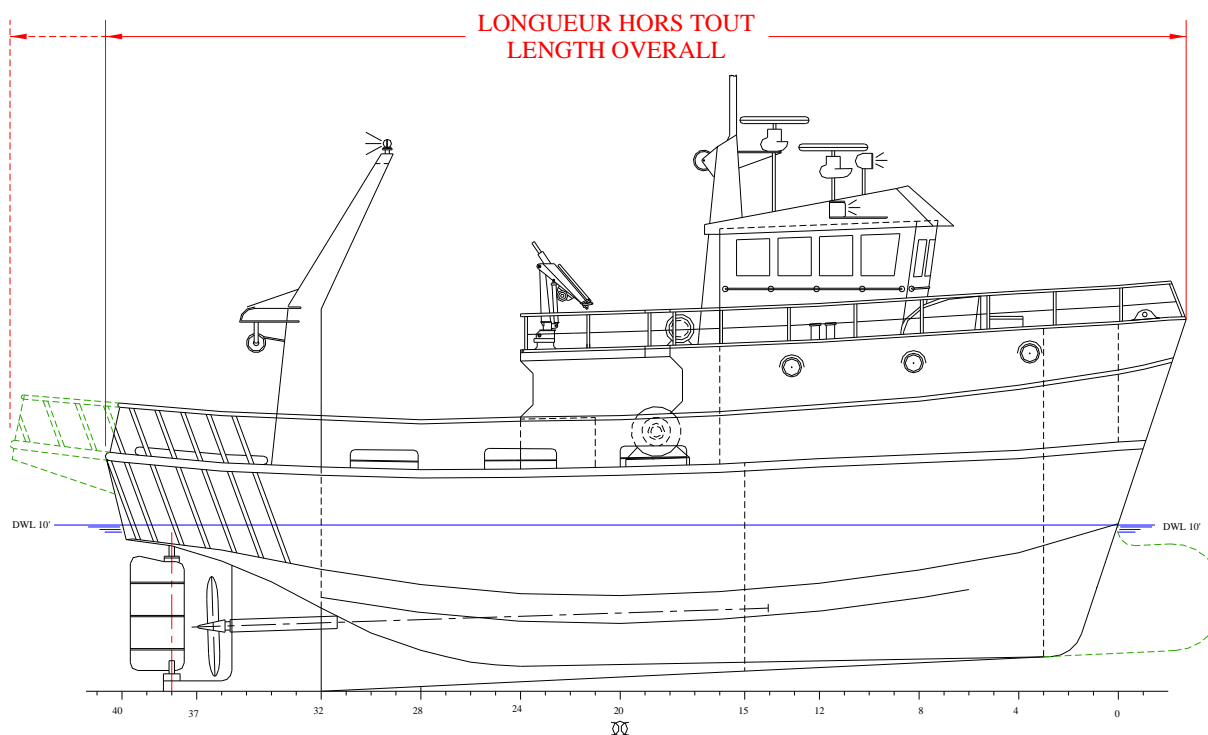
[Return to start](#)

[Previous page](#)



Length Overall

The length overall (LOA) is the distance between the foremost point and the aftermost point of the vessel. Include the aft deck extensions (platforms). Do not include the bulbous bow.

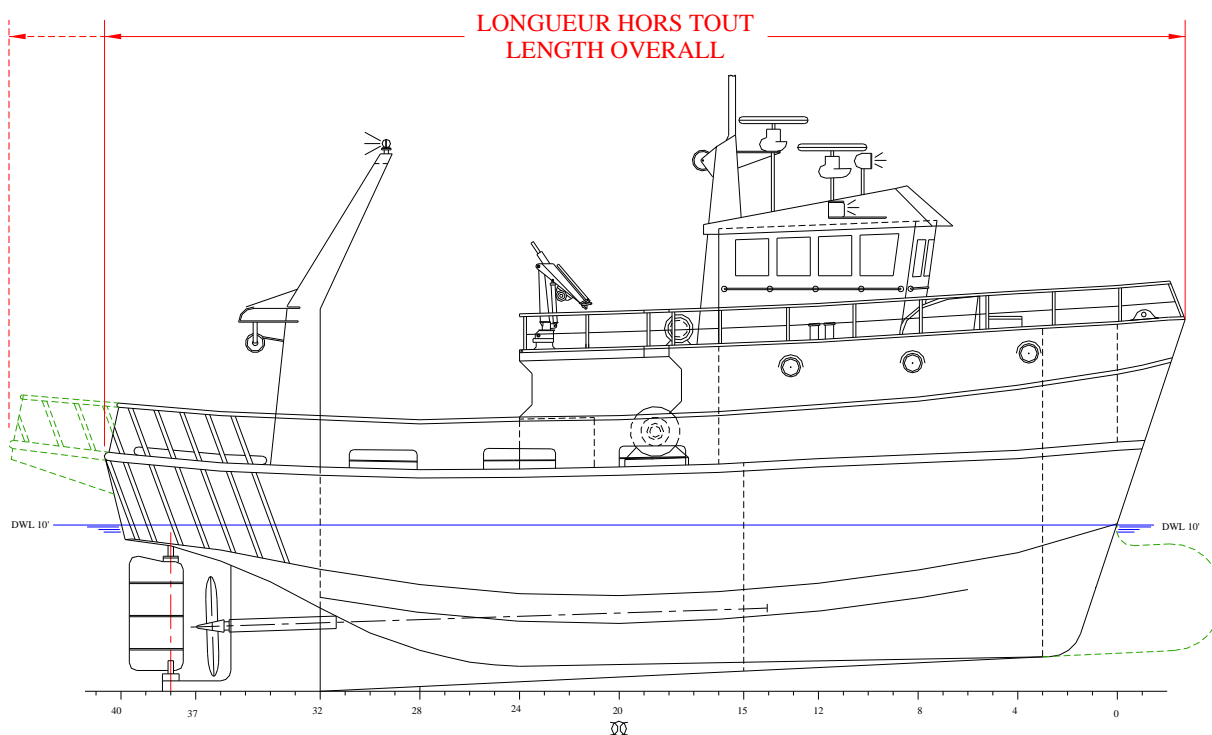


[Return to start](#)
[Previous page](#)



Length Overall

The length overall (LOA) is the distance between the foremost point and the aftermost point of the vessel. Include the aft deck extensions (platforms). Do not include the bulbous bow.

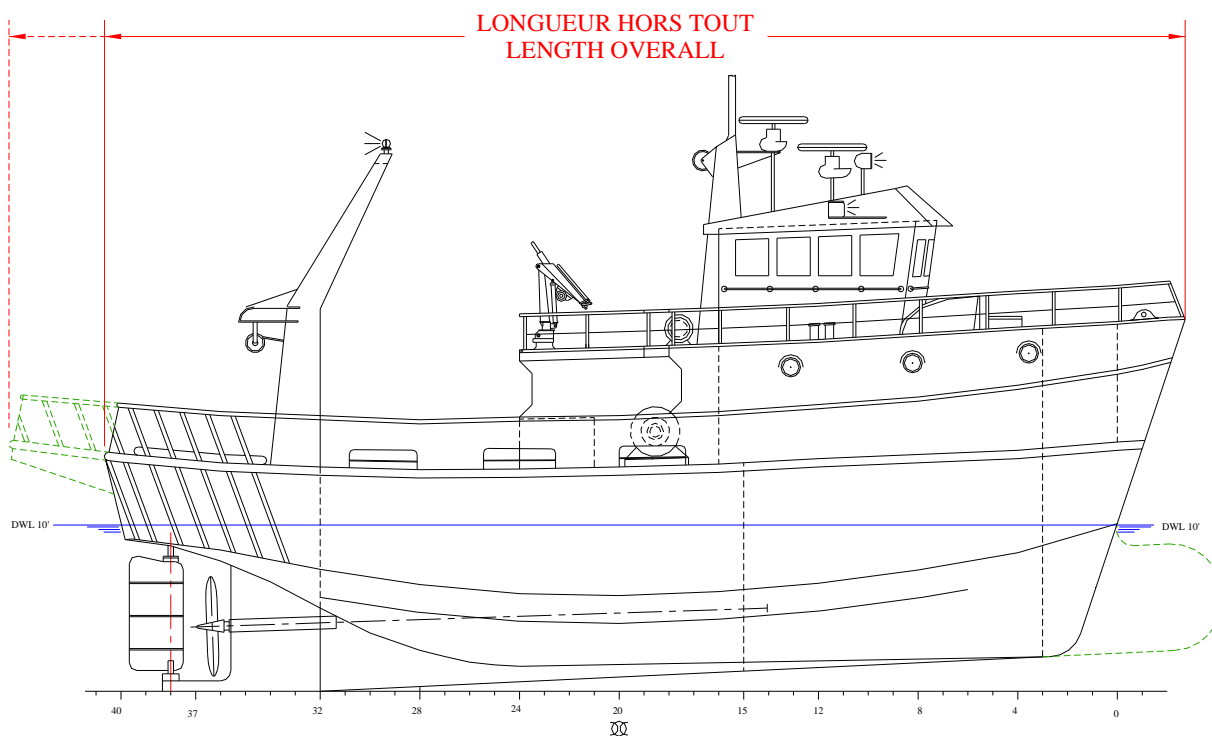


[Return to start](#)
[Previous page](#)



Length Overall

The length overall (LOA) is the distance between the foremost point and the aftermost point of the vessel. Include the aft deck extensions (platforms). Do not include the bulbous bow.

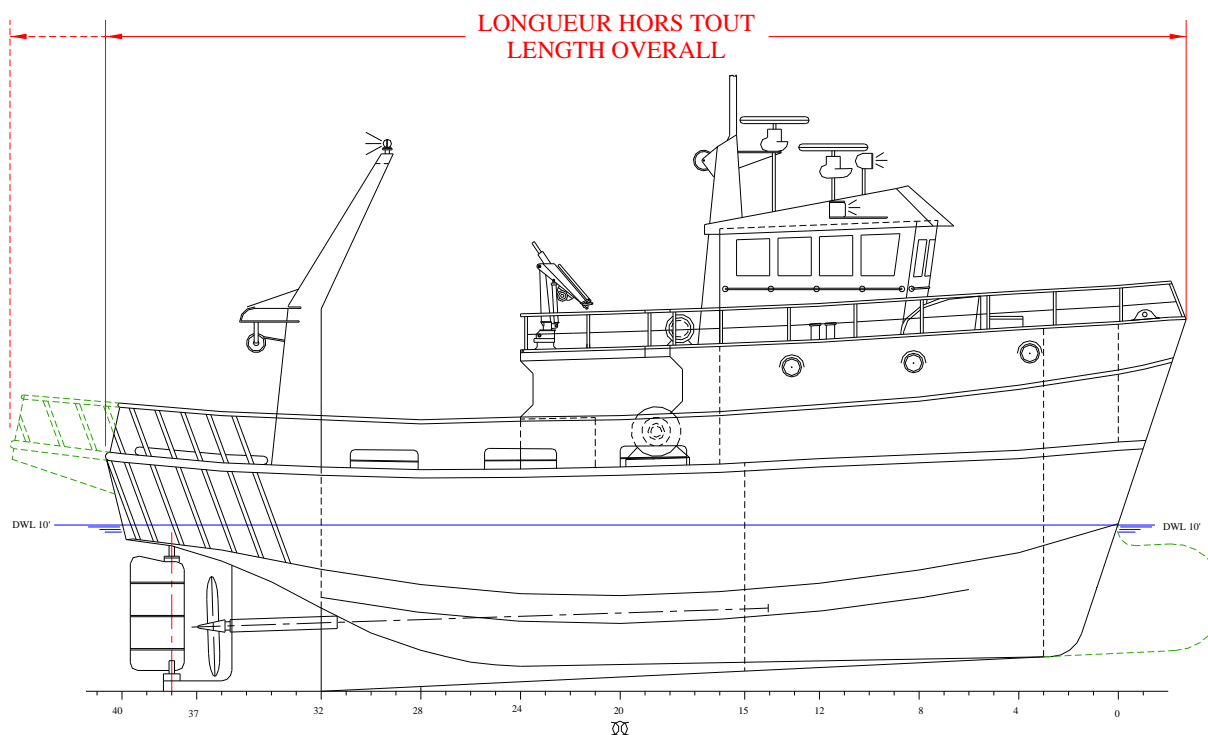


[Return to start](#)
[Previous page](#)



Length Overall

The length overall (LOA) is the distance between the foremost point and the aftermost point of the vessel. Include the aft deck extensions (platforms). Do not include the bulbous bow.



[Return to start](#)
[Previous page](#)



Requirements for Fishing Vessels

Marine Emergency Duties (MED) Training Courses

The MPR require all members of the minimum complement of a vessel to hold a training certificate in Marine Emergency Duties. The members of the minimum complement are listed in the vessel's *Safe Manning Document*. Here are the Marine Emergency Duties requirements for fishing vessels:

- ✓ Fishing vessels making a voyage beyond 25 nautical miles, members of the minimum complement must hold a training certificate in MED A1.
- ✓ For fishing vessels of up to 15 gross tonnage or not more than 12 m in length overall that do not have a minimum manning document, the master and at least one other crew member must hold at least a training certificate in MED A3, if the master does not fish alone.
- ✓ For fishing vessels of more than 15 gross tonnage and up to 150 gross tonnage that fish within 25 nautical miles from shore, members of the minimum complement must hold at least a training certificate in MED A3.

Person Designated to Provide First Aid Onboard

The MPR require that at least one person be designated to provide first aid on board each fishing vessel. This person must hold at least a valid Marine Basic First Aid training certificate or a valid certificate from a two-day first aid course recognized by a province or a territory.

Radiotelephone Operator Certificates

Any person who uses a radiotelephone must hold at least a restricted radiotelephone certificate. To qualify for a Certificate of competency, you should hold the *Restricted Operator's Certificate – Maritime Commercial (ROC-MC)*. To obtain a certificate of service, you may present a *Restricted Operator Certificate with Maritime Qualification (ROC-M)* obtained after January 1, 2005, but it will be valid only for voyages no more than 25 nautical miles from shore.

[Return to start](#)

[Previous page](#)



Requirements for Fishing Vessels

Marine Emergency Duties (MED) Training Courses

The MPR require all members of the minimum complement of a vessel to hold a training certificate in Marine Emergency Duties. The members of the minimum complement are listed in the vessel's *Safe Manning Document*. Here are the Marine Emergency Duties requirements for fishing vessels:

- ✓ Fishing vessels making a voyage beyond 25 nautical miles, members of the minimum complement must hold a training certificate in MED A1.
- ✓ For fishing vessels of up to 15 gross tonnage or not more than 12 m in length overall that do not have a minimum manning document, the master and at least one other crew member must hold at least a training certificate in MED A3, if the master does not fish alone.
- ✓ For fishing vessels of more than 15 gross tonnage and up to 150 gross tonnage that fish within 25 nautical miles from shore, members of the minimum complement must hold at least a training certificate in MED A3.

Person Designated to Provide First Aid Onboard

The MPR require that at least one person be designated to provide first aid on board each fishing vessel. This person must hold at least a valid Marine Basic First Aid training certificate or a valid certificate from a two-day first aid course recognized by a province or a territory.

Radiotelephone Operator Certificates

Any person who uses a radiotelephone must hold at least a restricted radiotelephone certificate. To qualify for a Certificate of competency, you should hold the *Restricted Operator's Certificate – Maritime Commercial (ROC-MC)*. To obtain a certificate of service, you may present a *Restricted Operator Certificate with Maritime Qualification (ROC-M)* obtained after January 1, 2005, but it will be valid only for voyages no more than 25 nautical miles from shore.

[Return to start](#)

[Previous page](#)



Requirements for Fishing Vessels

Marine Emergency Duties (MED) Training Courses

The MPR require all members of the minimum complement of a vessel to hold a training certificate in Marine Emergency Duties. The members of the minimum complement are listed in the vessel's *Safe Manning Document*. Here are the Marine Emergency Duties requirements for fishing vessels:

- ✓ Fishing vessels making a voyage beyond 25 nautical miles, members of the minimum complement must hold a training certificate in MED A1.
- ✓ For fishing vessels of up to 15 gross tonnage or not more than 12 m in length overall that do not have a minimum manning document, the master and at least one other crew member must hold at least a training certificate in MED A3, if the master does not fish alone.
- ✓ For fishing vessels of more than 15 gross tonnage and up to 150 gross tonnage that fish within 25 nautical miles from shore, members of the minimum complement must hold at least a training certificate in MED A3.

Person Designated to Provide First Aid Onboard

The MPR require that at least one person be designated to provide first aid on board each fishing vessel. This person must hold at least a valid Marine Basic First Aid training certificate or a valid certificate from a two-day first aid course recognized by a province or a territory.

Radiotelephone Operator Certificates

Any person who uses a radiotelephone must hold at least a restricted radiotelephone certificate. To qualify for a Certificate of competency, you should hold the *Restricted Operator's Certificate – Maritime Commercial (ROC-MC)*. To obtain a certificate of service, you may present a *Restricted Operator Certificate with Maritime Qualification (ROC-M)* obtained after January 1, 2005, but it will be valid only for voyages no more than 25 nautical miles from shore.

[Return to start](#)

[Previous page](#)



Requirements for Fishing Vessels

Marine Emergency Duties (MED) Training Courses

The MPR require all members of the minimum complement of a vessel to hold a training certificate in Marine Emergency Duties. The members of the minimum complement are listed in the vessel's *Safe Manning Document*. Here are the Marine Emergency Duties requirements for fishing vessels:

- ✓ Fishing vessels making a voyage beyond 25 nautical miles, members of the minimum complement must hold a training certificate in MED A1.
- ✓ For fishing vessels of up to 15 gross tonnage or not more than 12 m in length overall that do not have a minimum manning document, the master and at least one other crew member must hold at least a training certificate in MED A3, if the master does not fish alone.
- ✓ For fishing vessels of more than 15 gross tonnage and up to 150 gross tonnage that fish within 25 nautical miles from shore, members of the minimum complement must hold at least a training certificate in MED A3.

Person Designated to Provide First Aid Onboard

The MPR require that at least one person be designated to provide first aid on board each fishing vessel. This person must hold at least a valid Marine Basic First Aid training certificate or a valid certificate from a two-day first aid course recognized by a province or a territory.

Radiotelephone Operator Certificates

Any person who uses a radiotelephone must hold at least a restricted radiotelephone certificate. To qualify for a Certificate of competency, you should hold the *Restricted Operator's Certificate – Maritime Commercial (ROC-MC)*. To obtain a certificate of service, you may present a *Restricted Operator Certificate with Maritime Qualification (ROC-M)* obtained after January 1, 2005, but it will be valid only for voyages no more than 25 nautical miles from shore.

[Return to start](#)

[Previous page](#)



Requirements for Fishing Vessels

Marine Emergency Duties (MED) Training Courses

The MPR require all members of the minimum complement of a vessel to hold a training certificate in Marine Emergency Duties. The members of the minimum complement are listed in the vessel's *Safe Manning Document*. Here are the Marine Emergency Duties requirements for fishing vessels:

- ✓ Fishing vessels making a voyage beyond 25 nautical miles, members of the minimum complement must hold a training certificate in MED A1.
- ✓ For fishing vessels of up to 15 gross tonnage or not more than 12 m in length overall that do not have a minimum manning document, the master and at least one other crew member must hold at least a training certificate in MED A3, if the master does not fish alone.
- ✓ For fishing vessels of more than 15 gross tonnage and up to 150 gross tonnage that fish within 25 nautical miles from shore, members of the minimum complement must hold at least a training certificate in MED A3.

Person Designated to Provide First Aid Onboard

The MPR require that at least one person be designated to provide first aid on board each fishing vessel. This person must hold at least a valid Marine Basic First Aid training certificate or a valid certificate from a two-day first aid course recognized by a province or a territory.

Radiotelephone Operator Certificates

Any person who uses a radiotelephone must hold at least a restricted radiotelephone certificate. To qualify for a Certificate of competency, you should hold the *Restricted Operator's Certificate – Maritime Commercial (ROC-MC)*. To obtain a certificate of service, you may present a *Restricted Operator Certificate with Maritime Qualification (ROC-M)* obtained after January 1, 2005, but it will be valid only for voyages no more than 25 nautical miles from shore.

[Return to start](#)

[Previous page](#)



Requirements for Fishing Vessels

Marine Emergency Duties (MED) Training Courses

The MPR require all members of the minimum complement of a vessel to hold a training certificate in Marine Emergency Duties. The members of the minimum complement are listed in the vessel's *Safe Manning Document*. Here are the Marine Emergency Duties requirements for fishing vessels:

- ✓ Fishing vessels making a voyage beyond 25 nautical miles, members of the minimum complement must hold a training certificate in MED A1.
- ✓ For fishing vessels of up to 15 gross tonnage or not more than 12 m in length overall that do not have a minimum manning document, the master and at least one other crew member must hold at least a training certificate in MED A3, if the master does not fish alone.
- ✓ For fishing vessels of more than 15 gross tonnage and up to 150 gross tonnage that fish within 25 nautical miles from shore, members of the minimum complement must hold at least a training certificate in MED A3.

Person Designated to Provide First Aid Onboard

The MPR require that at least one person be designated to provide first aid on board each fishing vessel. This person must hold at least a valid Marine Basic First Aid training certificate or a valid certificate from a two-day first aid course recognized by a province or a territory.

Radiotelephone Operator Certificates

Any person who uses a radiotelephone must hold at least a restricted radiotelephone certificate. To qualify for a Certificate of competency, you should hold the *Restricted Operator's Certificate – Maritime Commercial (ROC-MC)*. To obtain a certificate of service, you may present a *Restricted Operator Certificate with Maritime Qualification (ROC-M)* obtained after January 1, 2005, but it will be valid only for voyages no more than 25 nautical miles from shore.

[Return to start](#)

[Previous page](#)



Requirements for Fishing Vessels

Marine Emergency Duties (MED) Training Courses

The MPR require all members of the minimum complement of a vessel to hold a training certificate in Marine Emergency Duties. The members of the minimum complement are listed in the vessel's *Safe Manning Document*. Here are the Marine Emergency Duties requirements for fishing vessels:

- ✓ Fishing vessels making a voyage beyond 25 nautical miles, members of the minimum complement must hold a training certificate in MED A1.
- ✓ For fishing vessels of up to 15 gross tonnage or not more than 12 m in length overall that do not have a minimum manning document, the master and at least one other crew member must hold at least a training certificate in MED A3, if the master does not fish alone.
- ✓ For fishing vessels of more than 15 gross tonnage and up to 150 gross tonnage that fish within 25 nautical miles from shore, members of the minimum complement must hold at least a training certificate in MED A3.

Person Designated to Provide First Aid Onboard

The MPR require that at least one person be designated to provide first aid on board each fishing vessel. This person must hold at least a valid Marine Basic First Aid training certificate or a valid certificate from a two-day first aid course recognized by a province or a territory.

Radiotelephone Operator Certificates

Any person who uses a radiotelephone must hold at least a restricted radiotelephone certificate. To qualify for a Certificate of competency, you should hold the *Restricted Operator's Certificate – Maritime Commercial (ROC-MC)*. To obtain a certificate of service, you may present a *Restricted Operator Certificate with Maritime Qualification (ROC-M)* obtained after January 1, 2005, but it will be valid only for voyages no more than 25 nautical miles from shore.

[Return to start](#)

[Previous page](#)



Requirements for Fishing Vessels

Marine Emergency Duties (MED) Training Courses

The MPR require all members of the minimum complement of a vessel to hold a training certificate in Marine Emergency Duties. The members of the minimum complement are listed in the vessel's *Safe Manning Document*. Here are the Marine Emergency Duties requirements for fishing vessels:

- ✓ Fishing vessels making a voyage beyond 25 nautical miles, members of the minimum complement must hold a training certificate in MED A1.
- ✓ For fishing vessels of up to 15 gross tonnage or not more than 12 m in length overall that do not have a minimum manning document, the master and at least one other crew member must hold at least a training certificate in MED A3, if the master does not fish alone.
- ✓ For fishing vessels of more than 15 gross tonnage and up to 150 gross tonnage that fish within 25 nautical miles from shore, members of the minimum complement must hold at least a training certificate in MED A3.

Person Designated to Provide First Aid Onboard

The MPR require that at least one person be designated to provide first aid on board each fishing vessel. This person must hold at least a valid Marine Basic First Aid training certificate or a valid certificate from a two-day first aid course recognized by a province or a territory.

Radiotelephone Operator Certificates

Any person who uses a radiotelephone must hold at least a restricted radiotelephone certificate. To qualify for a Certificate of competency, you should hold the *Restricted Operator's Certificate – Maritime Commercial (ROC-MC)*. To obtain a certificate of service, you may present a *Restricted Operator Certificate with Maritime Qualification (ROC-M)* obtained after January 1, 2005, but it will be valid only for voyages no more than 25 nautical miles from shore.

[Return to start](#)

[Previous page](#)